



# US VACUUM PUMPS LLC

## CPS-7D & CPS-15D

ROTARY VANE SINGLE STAGE VACUUM PUMP



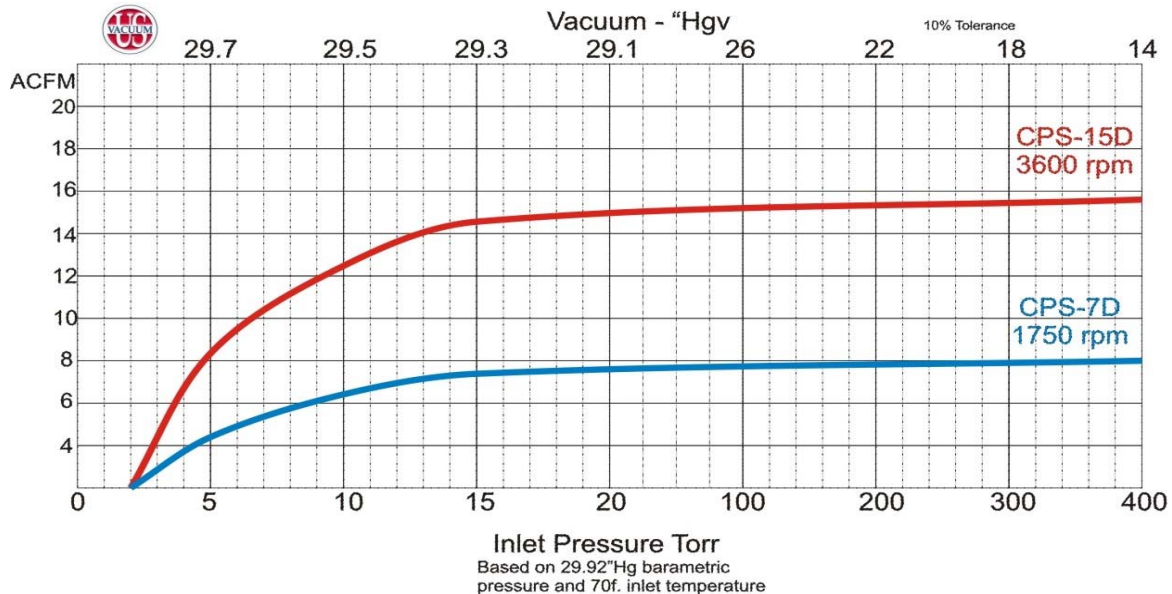
US VACUUM pumps Model CPS-7D/15D are Single stage, Air-cooled, Rotary vane vacuum pump capable of producing an ultimate vacuum to 2 mm Hg (29.8" Hg).

The pumps are small and compact yet produces a very generous 7.5 & 15 cfm of inlet pumping capacity. Typical applications include OEM, forming, drying, degassing, packaging and de-gassing.

Standard accessories include power cord (120v), on/off switch, rubber mounting feet and inlet hose barb.

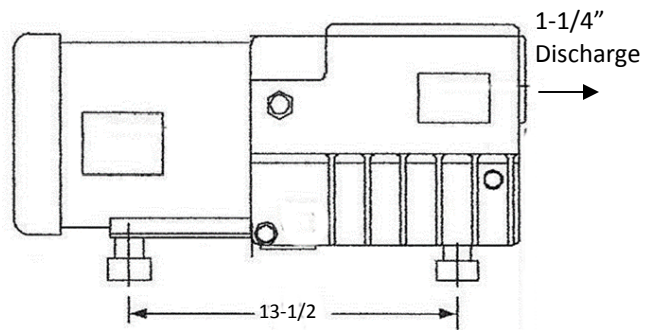
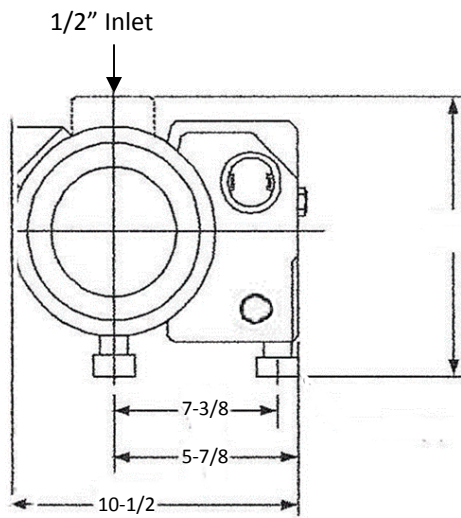
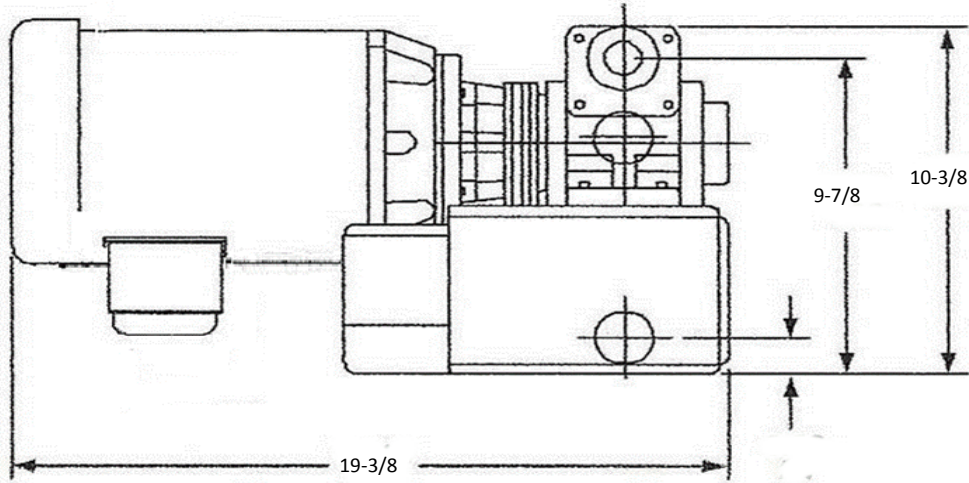
### TECHNICAL DATA

PUMP TYPE		CPS-7D	CPS-15D
Pump Displacement	CFM	7.5	15
Ultimate Vacuum	Torr	2	2
Pump Speed	RPM	1750	3500
Oil Capacity	ml	500	500
Inlet connection	Inch	1/2"	1/2"
Motor	HP	1	1.5
Weight	LBS	45	47
Noise level	db(A)	70	72



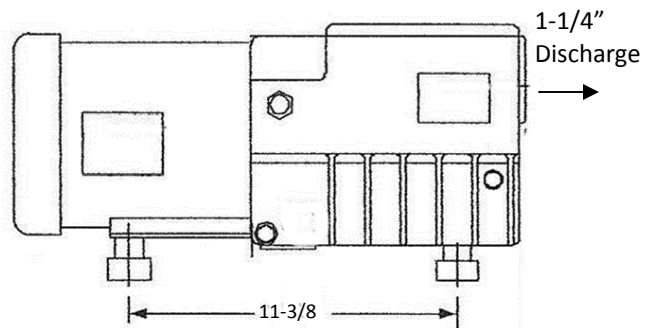
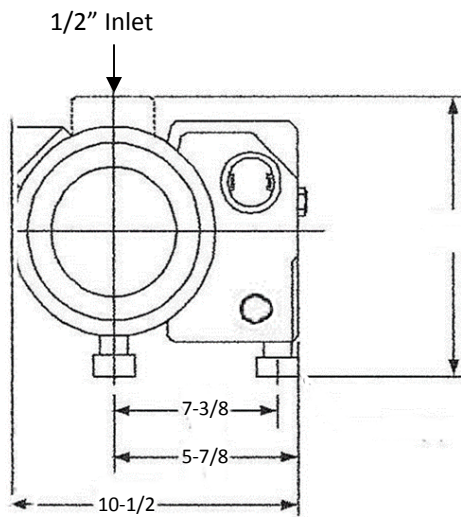
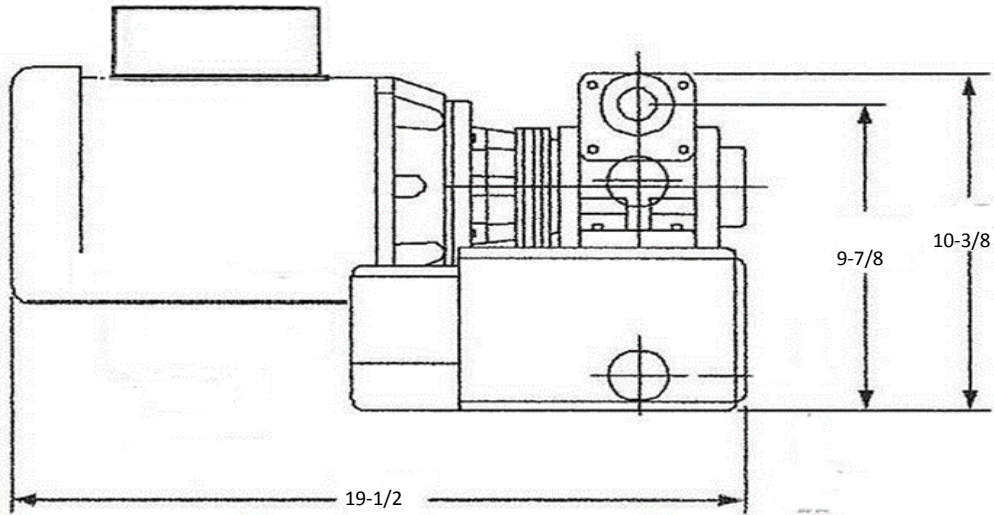
# DIMENSIONS

CPS-7D



# DIMENSIONS

CPS-15D



## US VACUUM

US Vacuum Pumps LLC  
P.O. Box 909  
Canton, TX 75103  
Phone: (888) 416-7366  
Fax: (877) 416-7599  
WEB: [www.usvacuumpumps.com](http://www.usvacuumpumps.com)