



US VACUUM PUMPS LLC

LRV-75C/100C/150C Close Coupled Vacuum Pumps

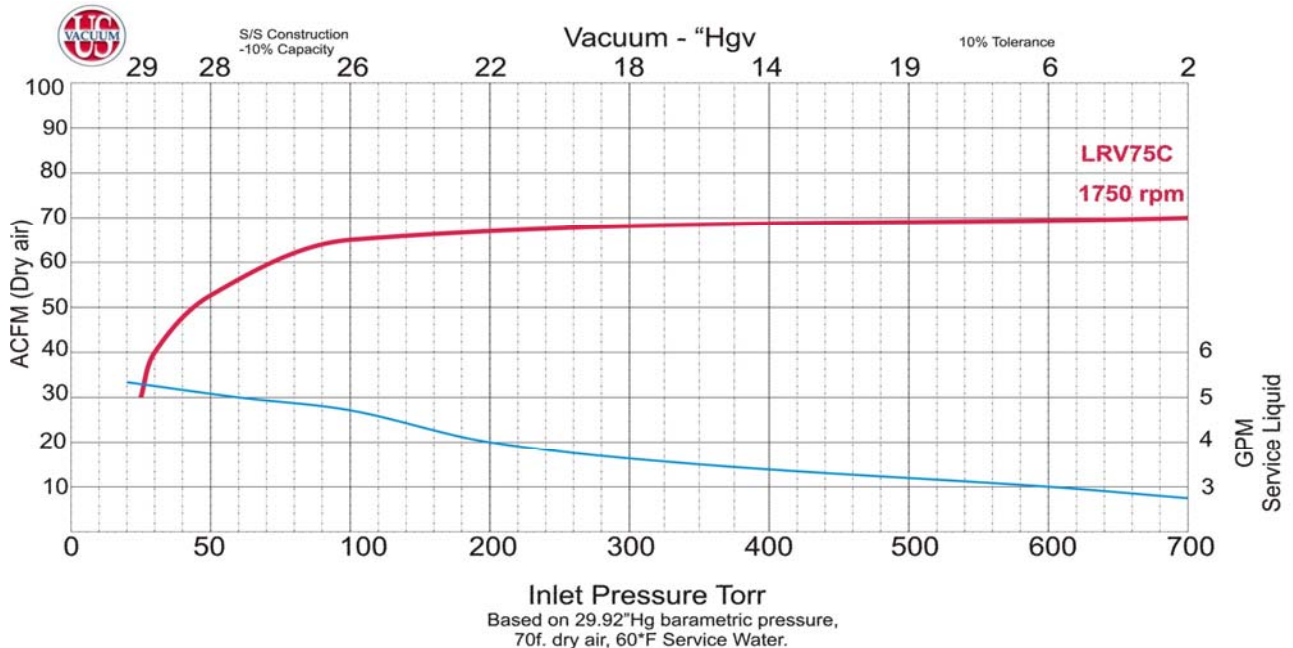


U.S. VACUUM LRV pumps are single stage close-coupled liquid ring vacuum pumps capable of producing a vacuum to 29" Hg . The pumps are available in various materials of construction (FB = Iron/Bronze, FS = Iron/Stainless steel, SS = All stainless steel).

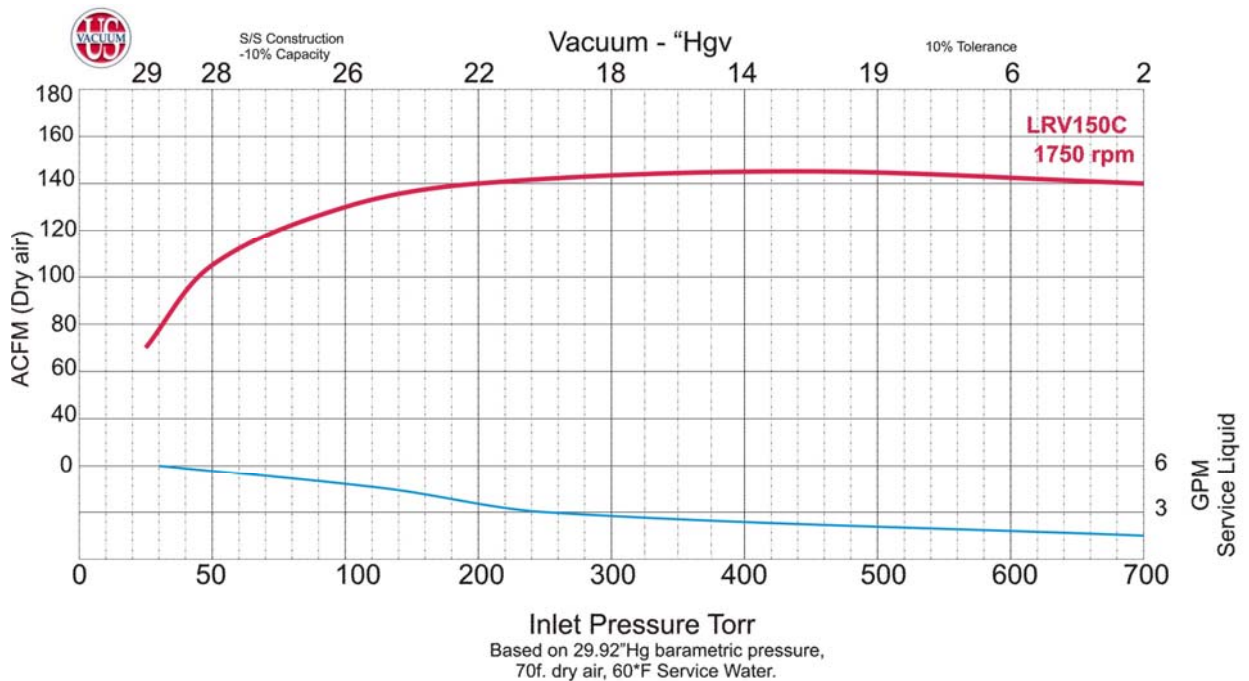
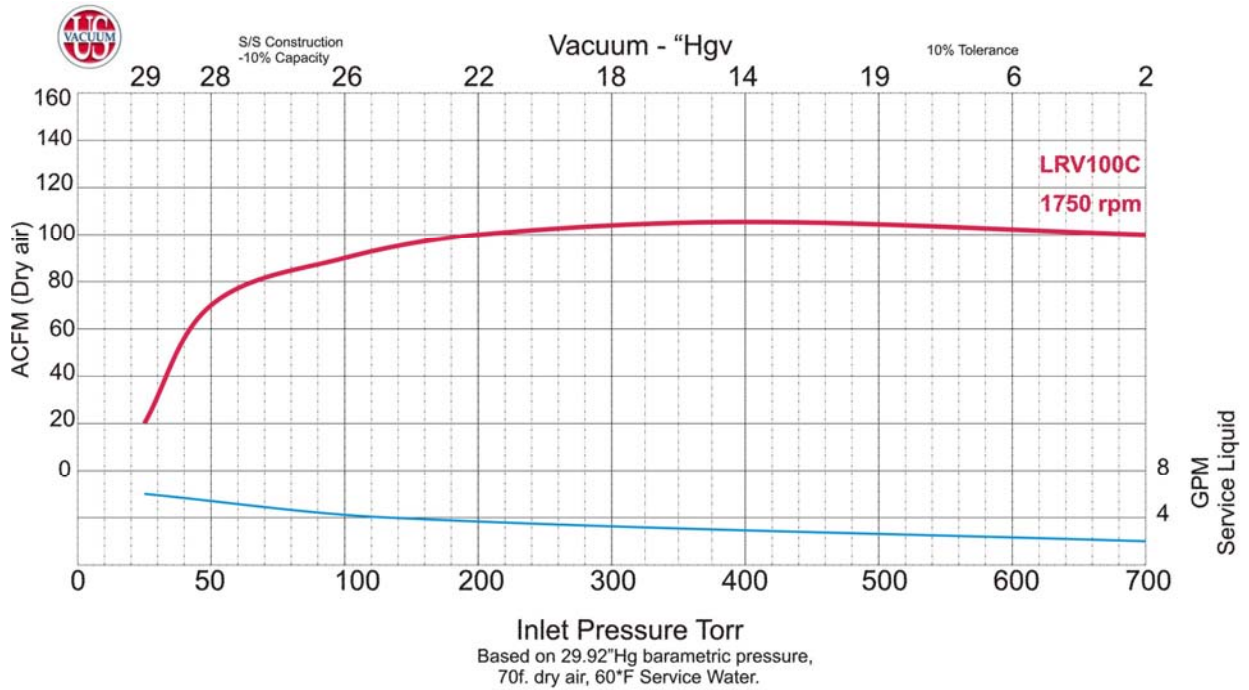
Pumps are provided with threaded connections for service liquid, pump draining and vacuum relief valve. Optional items include inlet check valve, vacuum relief valve, flow control, solenoid valve, vacuum and temperature gauges.

TECHNICAL DATA

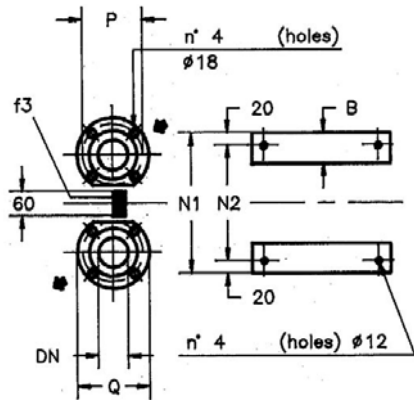
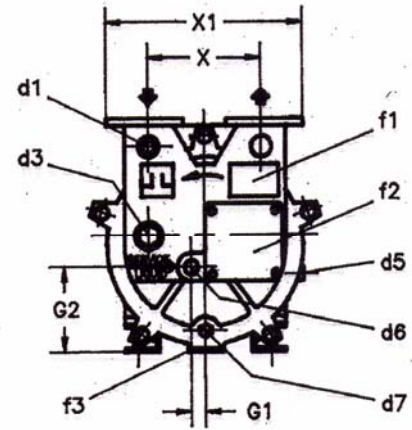
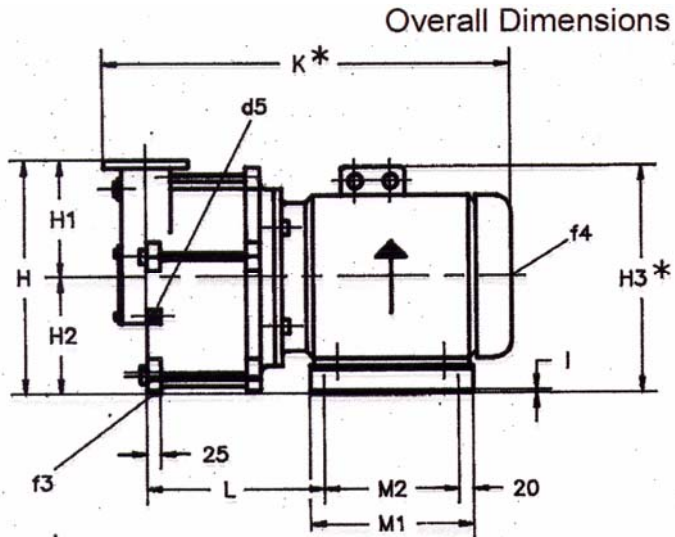
PUMP TYPE		LRV 75C	LRV 100C	LRV 150C
Pumping Capacity (@ 25" Hg)	CFM	66	95	135
Speed	RPM	1750	1750	1750
Motor-Installed power	HP	5	7.5	10
Average service liquid flow	GPM	5	5	5
Noise level at 60 Torr	db(A)	68	69	72
Minimum suction pressure	Torr	25	25	25



PERFORMANCE CURVES



DIMENSIONS



NOTE: Dimensions in mm
(1" = 25.4 mm)

4 Pole Motor PUMP DIMENSIONS (Dimensions for reference only)																			
Model	HP	B	G1	H	H1	H2	H3	I	K	L	M1	M2	N1	N2	X	X1	DN	P	Q
LRV 75C	5	60	160	325	165	160	325	5	565	190	228	188	230	190	180	330	40	110	150
LRV 100C	7.5	80	160	325	165	160	355	20	690	245	300	260	230	216	180	330	40	110	150
LRV 150C	10	60	180	345	165	180	375	5	684	278	228	188	256	216	180	330	40	110	150