

# VACUUM FILTERS

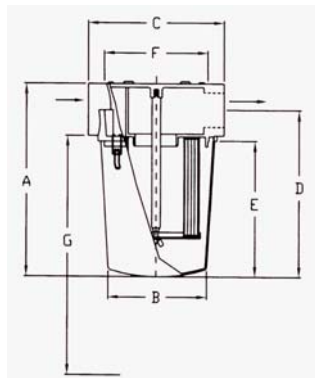
## INLET FILTERS - PARTICULATE "T" STYLE



- Integrated Baffle
- Compact "T" Style Design
- Black carbon steel bucket
- "Drop Down" housing for easy servicing
- Cast Aluminum heads RESISTS corrosion
- See through buckets on 3" & 4" sizes



See Through Bucket



U.S. Vacuum "T" Style INLET FILTERS are straight-thru light weight vacuum filters made to protect vacuum pumps from damaging particulate matter. Filters offer low pressure drop along with a large dirt holding capacity and easy field Cleaning.

The convenient "drop-down" bucket design allows for easy field cleaning and servicing of the filter. Options include a **SEE THROUGH** bucket on the 3" & 4" designs allowing for visual inspection of the filter and collected particulates..

MODEL "CT"	CFM	Inlet/Outlet	A	B	C	D	E	F	G	WEIGHT	PRICE
VFICT-851200	175	2"	13	7-5/8	9	10-7/8	9	5-5/8	18	16	\$400
VFICT-851250	210	2-1/2"	13	7-5/8	9	10-7/8	9	5-5/8	18	16	\$425
VFICT-235300	300	3"	18-7/8	9-7/8	13-1/2	16-1/8	13	10	25	30	\$520
VFICT-235400	500	4"	18-7/8	9-7/8	13-1/2	16-1/8	13	10	25	30	\$530
VFICT-275500	800	5"	18-1/4	16	19	14-3/8	9-7/8	14-3/4	20	50	\$950
VFICT-275600	1100	6"	18-1/4	16	19	14-3/8	9-7/8	14-3/4	20	50	\$980

### See Through Bucket Design

VFIST-235300	300	3"	19-7/8	9-7/8	13-1/2	17-1/8	14	10	25	30	\$780
VFIST-235400	500	4"	19-7/8	9-7/8	13-1/2	17-1/8	14	10	25	30	\$780

**888-416-7366**