

Vane Pumps- Two- Stage

U.S. VACUUM

3.5 - 28 CFM Vacuum to: 0.5 Microns



USV Series Rotary Vane Vacuum Pumps

USV pumps are Two-Stage Rotary Vane Air-Cooled vacuum pumps capable of producing an ultimate vacuum of .0005 mm Hg. All pumps come with an anti suck-back valve, gas ballast valve, ISO/KF connections, base & rubber feet. Single phase pumps come with 2 meter 120V power cord & on-off switch.

USV pumps are ideally suited for use in applications such as Air Conditioning & refrigeration evacuation, vacuum ovens, backing turbomolecular pumps, degassing, cylinder filling, sampling applications and others.

Models US-100/200/400 come standard with 1/60/115-230V Motor. US-600/800 come standard with 3/60/230-460 motor.

Other motor voltages available on request.

Technical Data

MODEL		100	200	400	600	800
Displacement	CFM	3.5	7	14	21	28
Ultimate Vacuum	Torr	.0005 mm Hg				
Noise Level	dba	54	56	56	57	58
Motor	Hp	1/2	1/2	1	2	2
Pump Speed	RPM	1800				
Oil Capacity	Qt.	.53	.62	1.5	2.9	2.4
Inlet, ISO-KF	mm	KF25			KF40	
Pump Weight	Lbs.	50	53	70	114	117

Vacuum Pump Oil

Tested to high vacuum levels, this oil meets rigid requirements for vapor pressure, stability & viscosity

Size	Cat. No
Quart	US-350H-32
Gallon	US-350H-128
5 Gallon	US-350-5.00
55 Gallon	US-350-55.00



Exhaust Filter

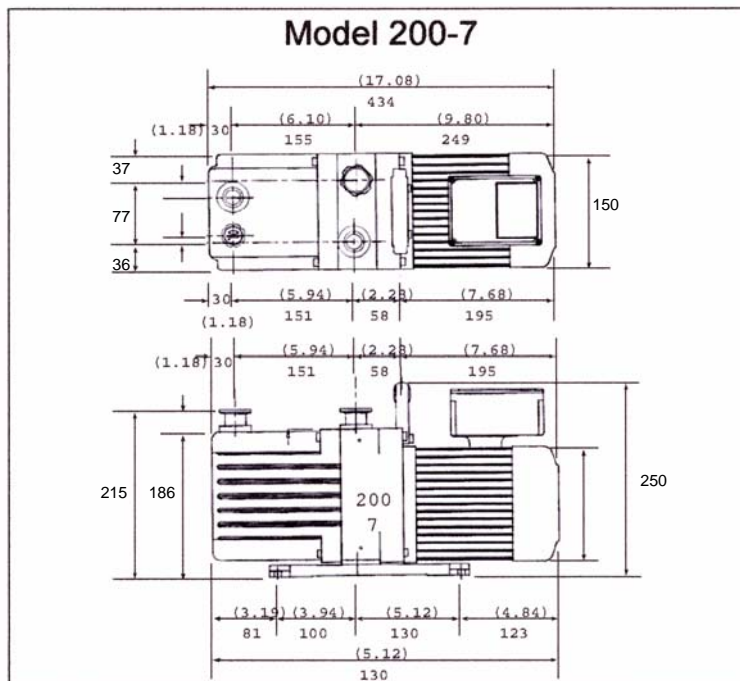
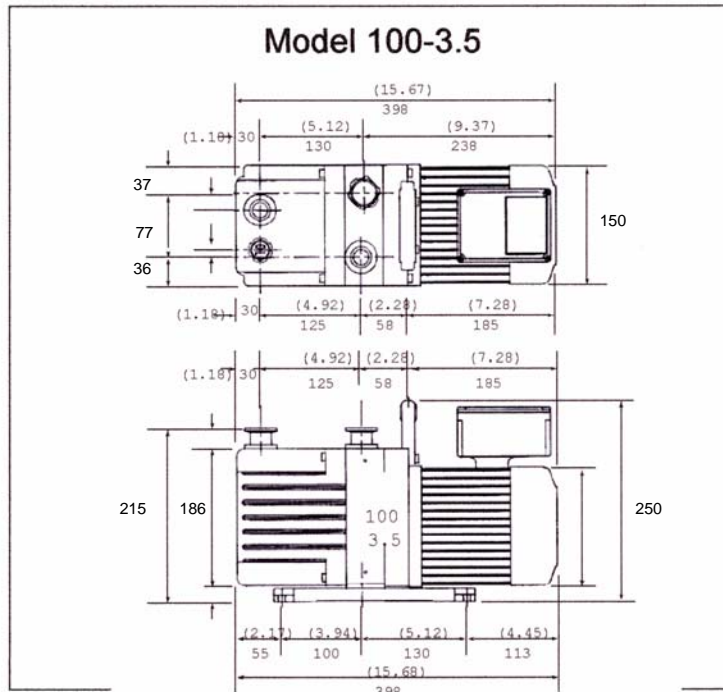
Use when pumping continuously above 1 Torr. Captures oil mist from pump for clean oil-free discharge

Pump Model	Cat. No
US-100	EE-GL915NW25
US200	EE-GL915NW25
US-400	EE-GL925NW25
US-600	VFSG848NW40
US-800	VFSG848NW40



888-416-7366

DIMENSIONS (mm)



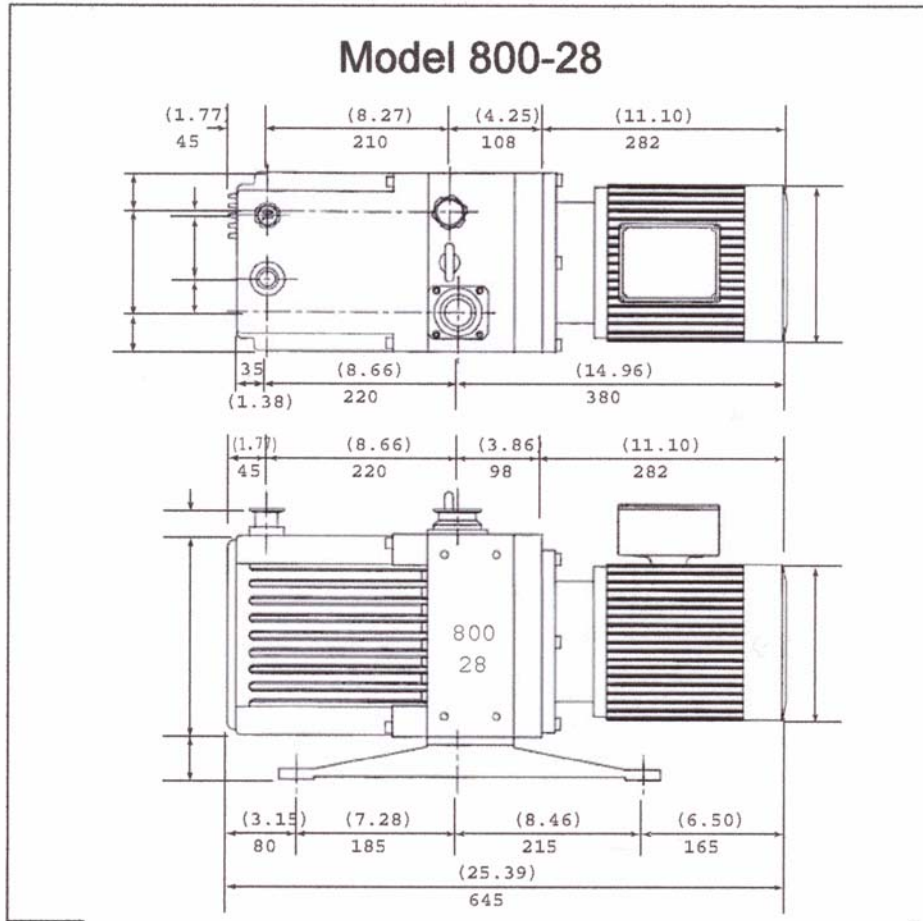
Dimensions subject to change without notice

U.S. VACUUM PUMPS, LP

P.O. BOX 909 - CANTON, TX 75103 - (888) 416-7366 Fax (877) 416-7599

WWW.USVACUUMPUMPS.COM

DIMENSIONS (mm)



Dimensions subject to change without notice

U.S. VACUUM PUMPS, LP

P.O. BOX 909 - CANTON, TX 75103 - (888) 416-7366 Fax (877) 416-7599

WWW.USVACUUMPUMPS.COM