

VACUUM BOOSTERS

CBP Series

85 –1353 CFM

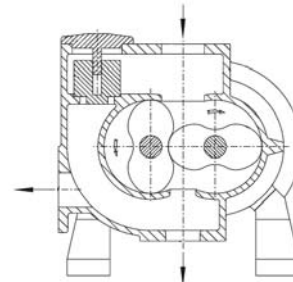
- Pumpdown times cut by up to 50%
- No pressure switches required
- Can operate continuously at all pressures including atmosphere
- Air Cooling operation
- High Capacity flow

CBP Series “ROOTS” Type Vacuum Boosters

U.S. Vacuum CBP Series Mechanical Vacuum Boosters are heavy duty roots type blowers made to be used in conjunction with a mechanical vacuum pump to “supercharge” the vacuum system.

Using a simple and reliable weighted bypass design, the booster can be started up at atmosphere eliminating the need for switches and sensors.

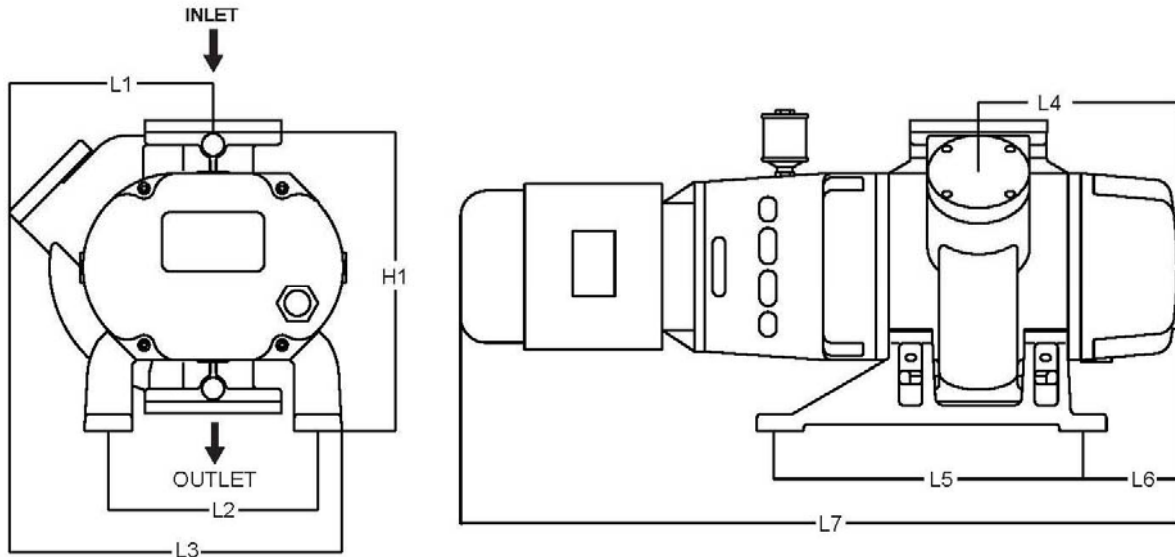
These boosters can be used with rotary vane, rotary piston, liquid ring and dry type vacuum pumps.



TECHNICAL SPECIFICATIONS

Model	CBP 100	CBP 200	CBP 400	CBP 700	CBP 1400
Displacement (CFM)	103	171	341	676	1353
Motor (HP)	1.5	1.5	3	5	10
RPM @ 60Hz	3600	3600	3600	3600	3600
Inlet/Discharge (DIN)	65	65	65	100	150
Backing Pump size (CFM)	20-50	30-80	50-150	150-500	300-600
Noise (DbA)	63	63	63	68	75
Max Ambient Temp. (F)	40-140F				
Oil Capacity (Qt)	2	2	3	3	8
Weight (Lbs)	198	220	341	513	1025
Cooling	AIR				

DIMENSIONS



Model	L1	L2	L3	L4	L5	L6	L7	H1	Inlet DN	Outlet
CBP 100	180	240	300	165	355	37	670	285	65	65
CBP 200	180	240	300	209	420	37	740	285	65	65
CBP 400	238	246	395	236	370	106	845	350	65	65
CBP 700	302	275	495	301	510	139	1080	419	100	100
CBP 1400	410	388	642	370	740	154	1236	530	150	150

Dimensions in mm
Divide by 25.4 for inches

US VACUUM

US Vacuum Pumps LLC
P.O. Box 909
Canton, TX 75103
Phone: (888) 416-7366
Fax: (877) 416-7599
WEB: www.usvacuumpumps.com

