

US VACUUM

Dry Claw Vacuum Pump

CVP-42 42 cfm



The CVP-42 is a positive displacement, air-cooled, claw type, dry running/non-contacting vacuum pump. The non-contact design eliminates internal wear and maintenance resulting in a highly reliable and durable pump. No cooling water or sealing oil is required in the pumping chamber resulting in a clean and oil-free exhaust environment.

The pump incorporates two claw shaped rotors that rotate in opposite directions to compress and move the process air through the pump and to the exhaust muffler/silencer. The rotors are synchronized by precision timing gears that are splash lubricated for a long and trouble-free life.

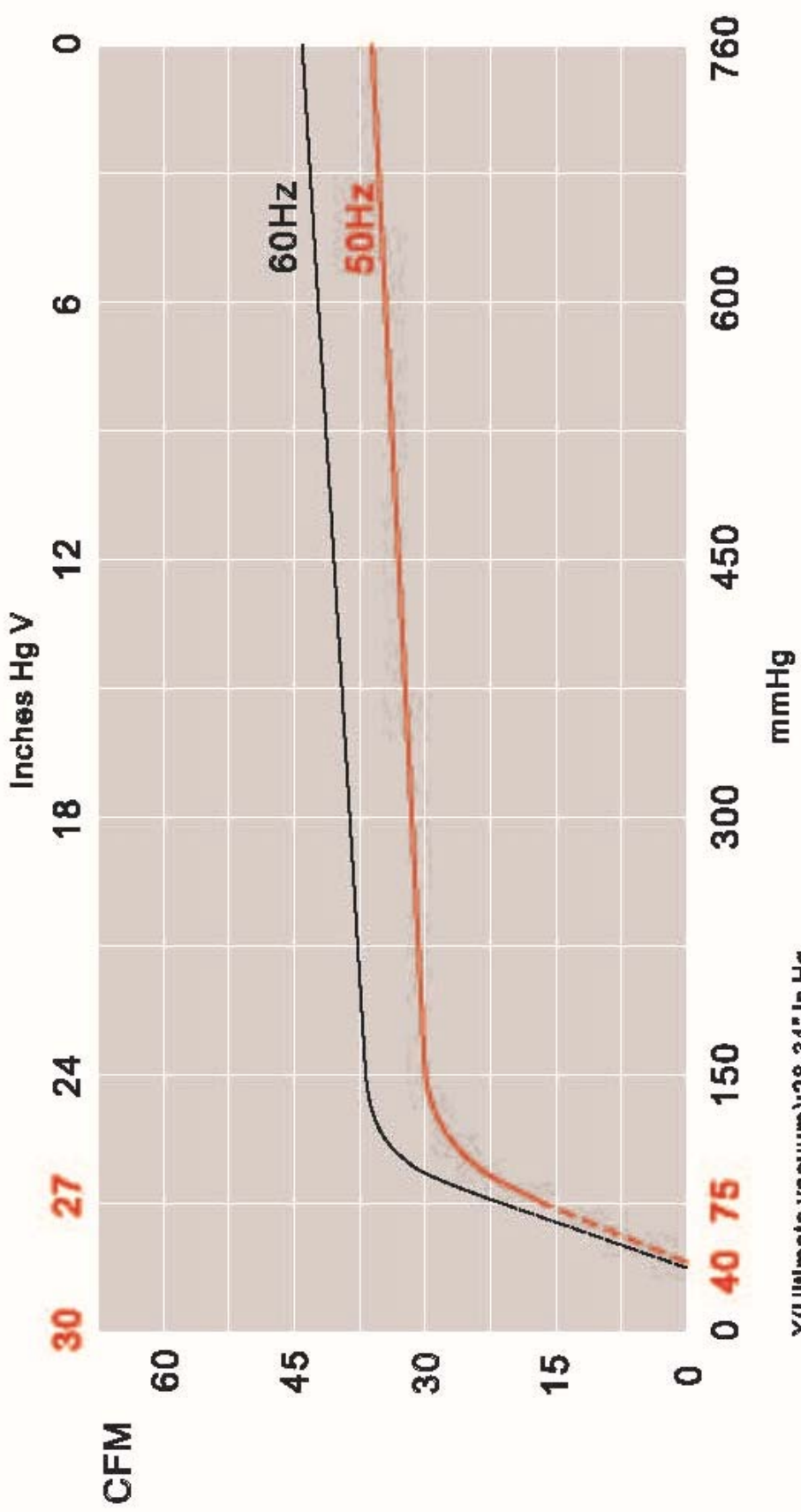
The pump is available with single-phase or three phase motor. Standard accessories include vacuum gauge, regulator, particulate filter, exhaust silencer and support base.

FEATURES

- Max Vac to 28.34" Hg
- Air-Cooled operation
- Oil-Free (Dry) pumping chamber
- Very low maintenance required
- Simple single-stage design
- Suitable for variable speed drives

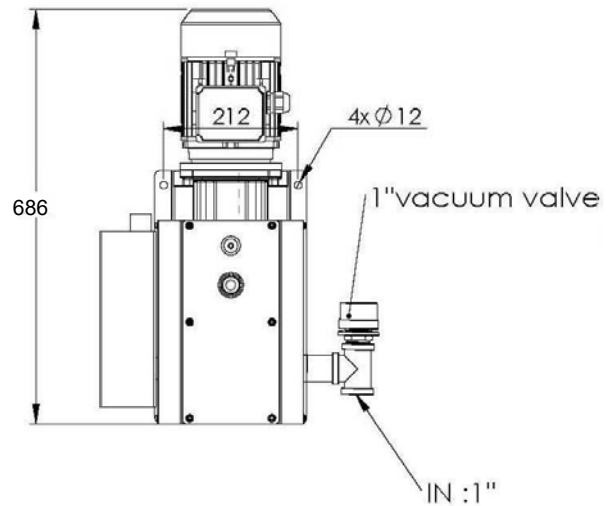
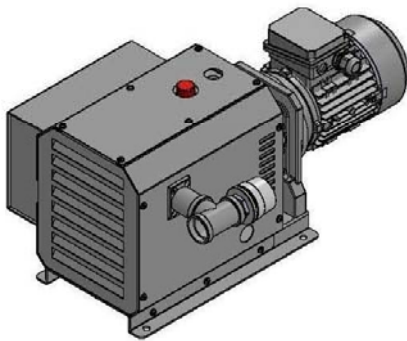
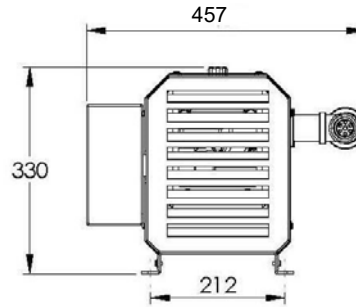
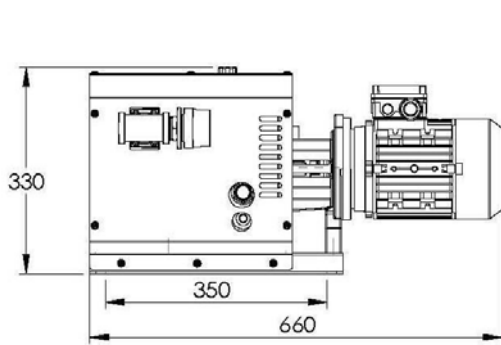


PUMP TYPE		LRV-35TCS
Nominal Capacity	CFM	42
Speed	RPM	3450
Motor-Hp & Frame size	HP	2 (145TC)
Noise level at 60 Torr	db(A)	78
Inlet Connection	Inch	1"
Ultimate Vacuum Max.	Torr	40 (28.34"Hg)
Ultimate Vacuum Continuous	Torr	75 TORR (27"Hg)
Weight	Lbs	112



X(Ultimate vacuum):26.34" In Hg
(on continuous vacuum):26.77" In Hg

CVP-42 DIMENSIONS (mm)



US VACUUM

US Vacuum Pumps LLC
P.O. Box 909
Canton, TX 75103
Phone: (888) 416-7366
Fax: (877) 416-7599
WEB: www.usvacuumpumps.com

Dimensions in mm 25.4mm = 1"

Dimensions subject to change without notice