

DV SERIES

Dry Vane Vacuum Pumps



DV4, DV10, DV17, DV25, DV50

DV Series Rotary Vane Dry Vacuum Pumps



Model DV4
Displacement 4.3 CFM
Ultimate Pressure 25" Hg

The DV series of pumps are 100% oil-less rotary vane vacuum pumps. They are designed to operate on a continuous basis at any point from atmospheric pressure to a vacuum level of 25" Hg. The oil-less pumps are ideal for applications where oil or water sealed pumps are objectionable.

The pumps come complete with electric motor, power cord (115v, 60hz), inlet filter, mounting feet and discharge muffler. Other motor options available including: 3-phase, 50hz, explosion-proof, etc (Models DV10, 17, 25, 50 only).

Applications include graphic arts, vacuum packaging, forming, hold-down, robotics, material handling, air sampling, central vacuum systems and others.



Model DV10
Displacement 10 CFM
Ultimate Pressure : 25" Hg



Model DV25
Displacement 25 CFM
Ultimate Pressure: 25" Hg



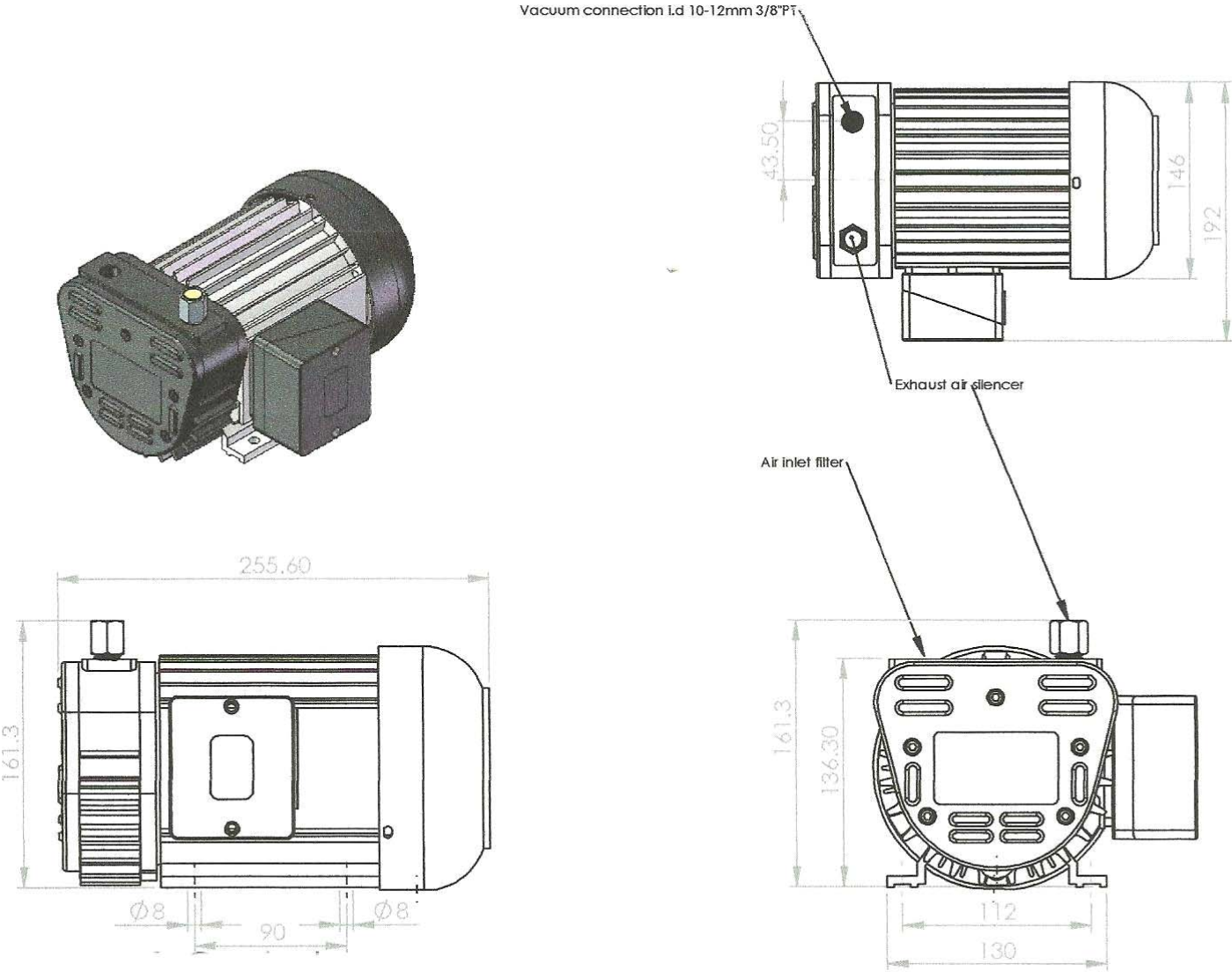
Model DV 50
Displacement 48 CFM
Ultimate Pressure : 25" Hg

DV SERIES

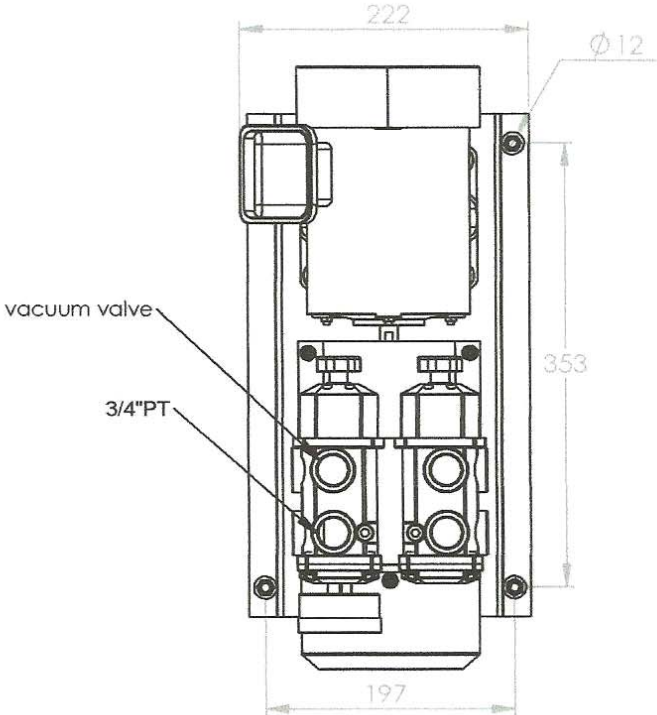
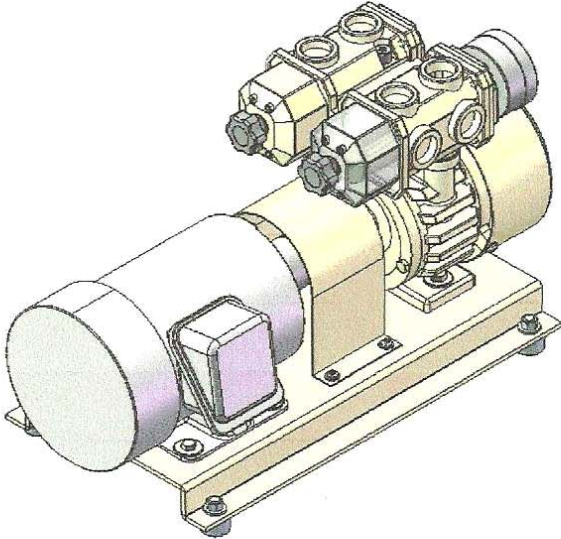
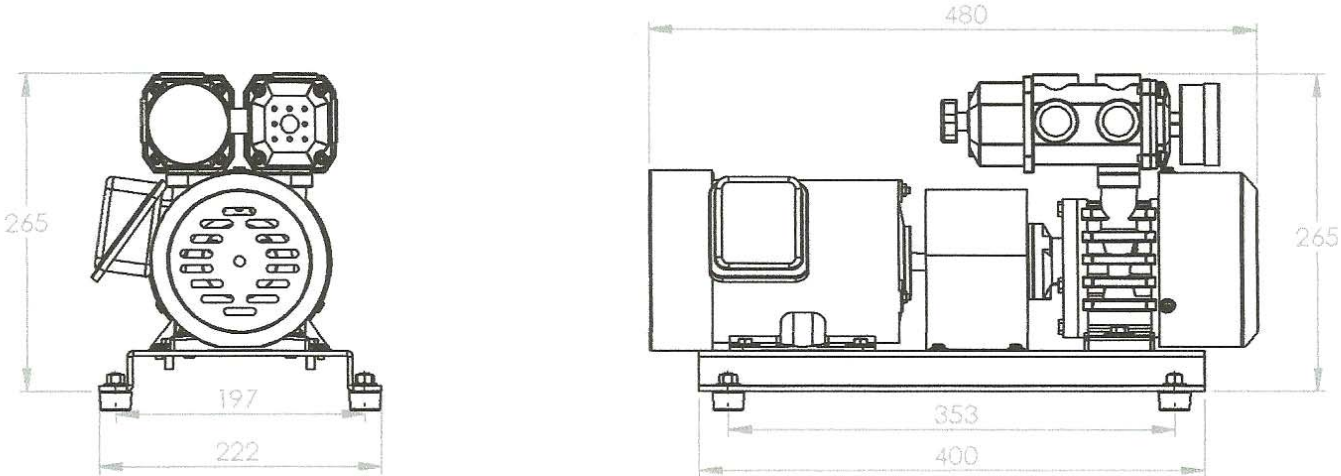
MODEL	DV 4	DV 10	DV 17	DV 25	DV 50
Displacement, CFM	4	10	17	25	48
Max Cont. Vacuum ("Hg)	25" Hg				
Motor, Hp	1/3	1/2	1	2	3
Suction Connection	3/8"	3/4"	3/4"	3/4"	1"
Speed (RPM)	3450	1750		1200	
Weight, Lbs	29	46	60	80	176
Noise Level dBa	62	70	70	73	76

888-416-7366

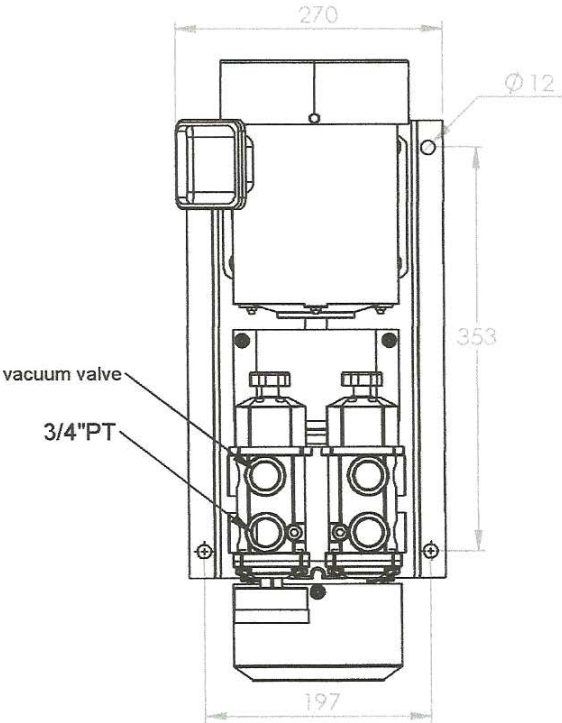
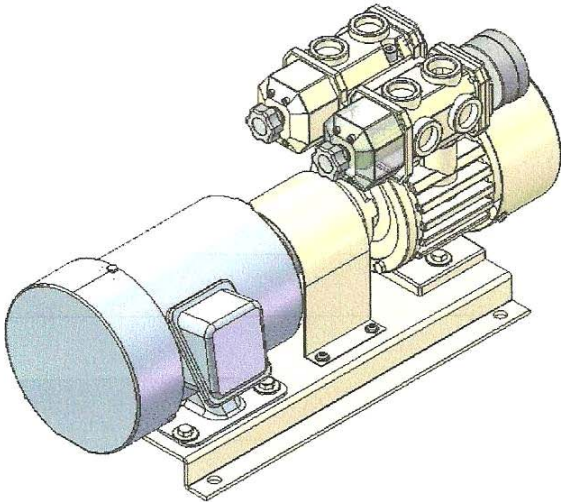
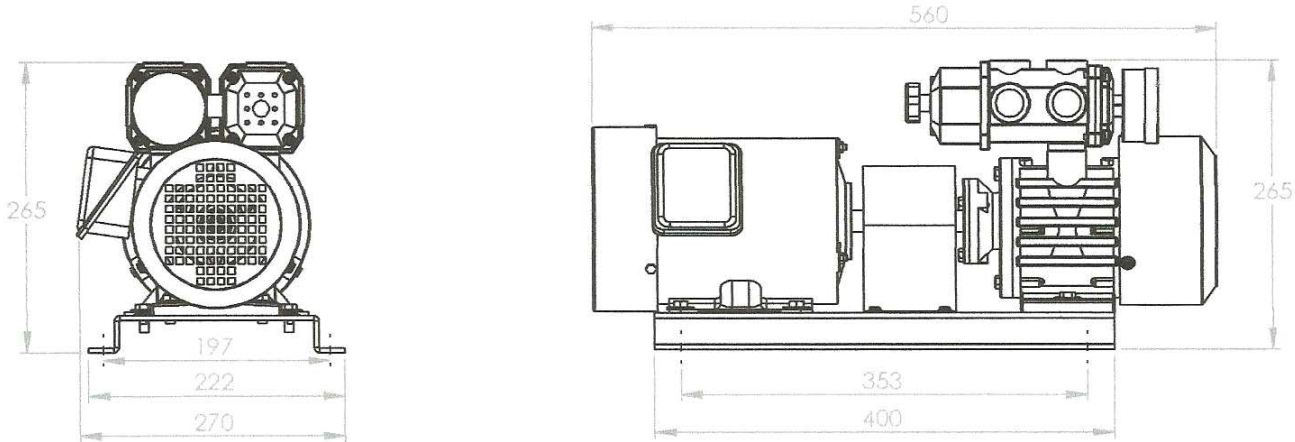
DV 4 DIMENSIONS



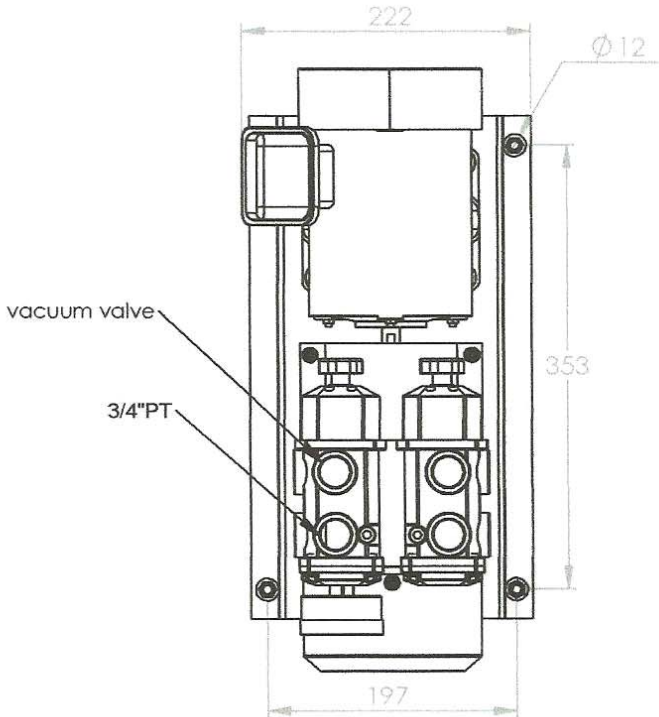
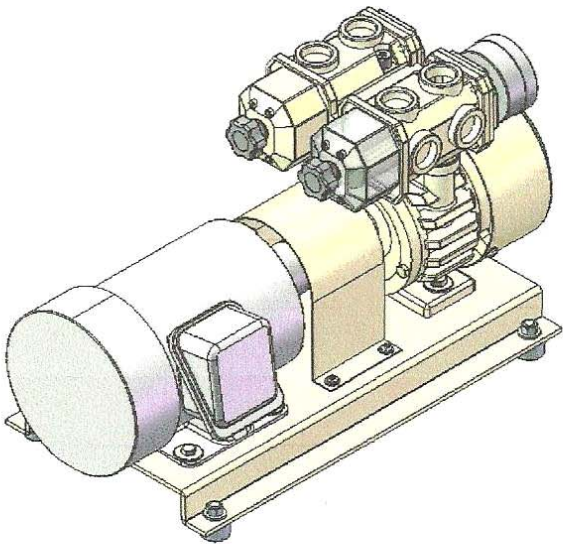
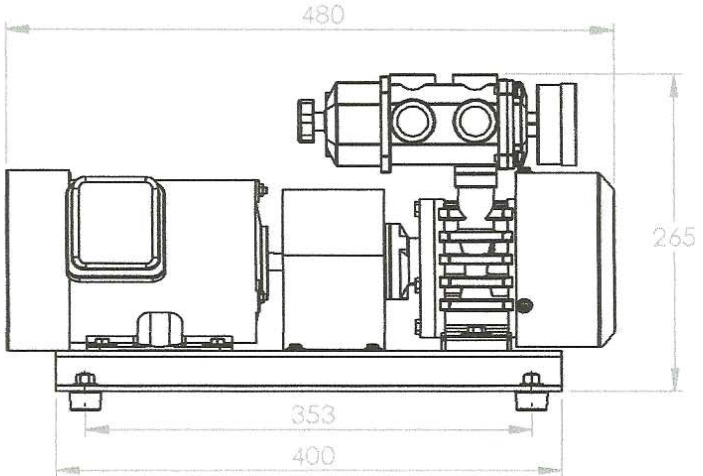
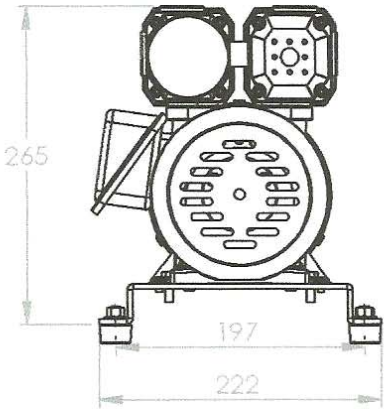
DV 10 DIMENSIONS



DV 17 DIMENSIONS



DV 25 DIMENSIONS



DV 50 DIMENSIONS