

ROTARY PISTON Vacuum Pump



RP-150K™ & RP-300K™

US VACUUM RP series of Rotary Piston vacuum pumps are heavy duty INDUSTRIAL GRADE units capable of producing an ultimate vacuum of 0.010 mmHg (abs). The pump is designed for use in demanding industrial applications where high vacuum, high flow and heavy duty construction are required.

The RP-150K/300K is a **DROP-IN** replacement for the **Tuthill Kinney® KT-150C/KT-300D** while also providing substantial competitive advantages over competing models. The drop-in feature allows for easy swap-out of pumps during critical downtime situations.

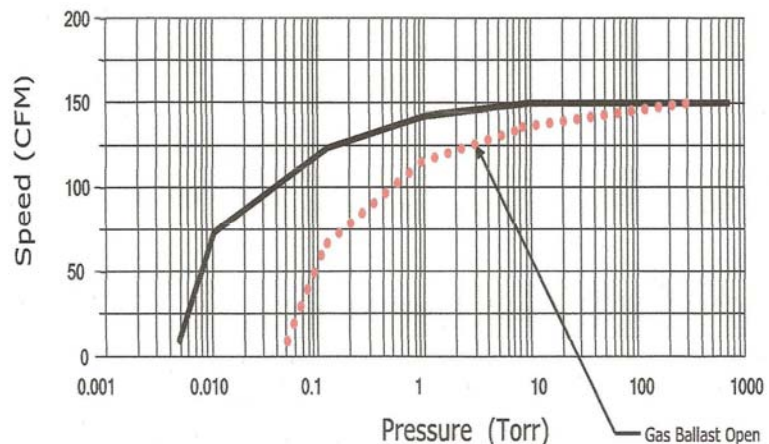
Triple-piston design provides for nearly vibration-free operation. Forced feed oil lubrication for operation at any pressures.

FEATURES

- Industrial Duty design
- Vibration-free operation
- Forced feed lubrication
- Ultimate vacuum to 0.010 Torr
- Primary & Back-up lubrication system

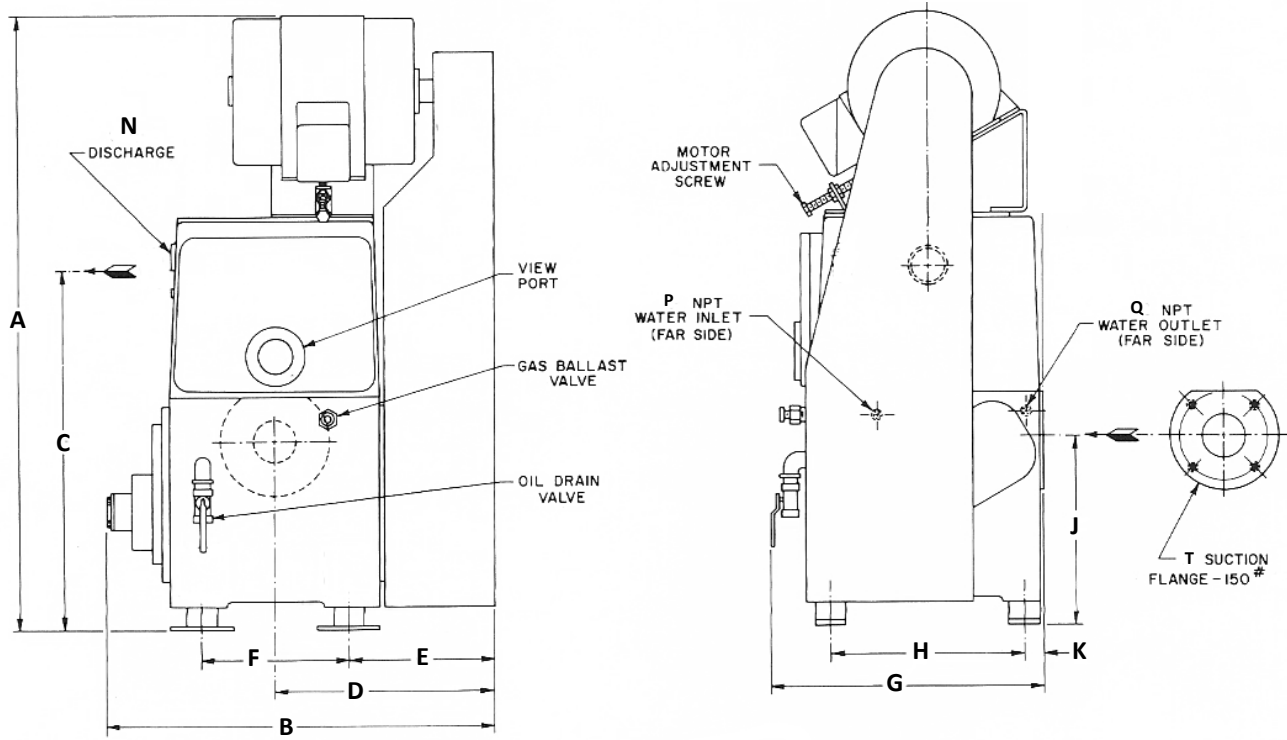


PERFORMANCE



Pump Model		RP-150K	RP-300K
Displacement	CFM	150	300
Ultimate Vacuum	Torr	0.010 (10 Microns)	0.010 (10 Microns)
Motor	Hp	7.5	15
Pump Speed	RPM	1055	870
Oil Capacity	Gal	6	10
Inlet connection	Inches	3" ANSI	4" ANSI
Discharge connection	Inches	2" ANSI	3" ANSI
Noise Level	dBa	71	72
Cooling Water	gpm	1	1.5
Pump Weight	Lbs.	800	1525

DIMENSIONS



MODEL	A	B	C	D	E	F	G	H	J	K	N	P	Q	T
RP150K	1092	660	673	368	219	298	610	486	321	16	2	0.25	0.75	3
RP300K	1295	864	826	470	267	381	699	572	406	22	3	0.38	0.5	4

All dimensions in mm.
(25.4mm = 1")

US VACUUM

US Vacuum Pumps LLC
P.O. Box 909
Canton, TX 75103
Phone: (888) 416-7366
Fax: (877) 416-7599
WEB: www.usvacuumpumps.com