

ROTARY PISTON Vacuum Pump



RP-630

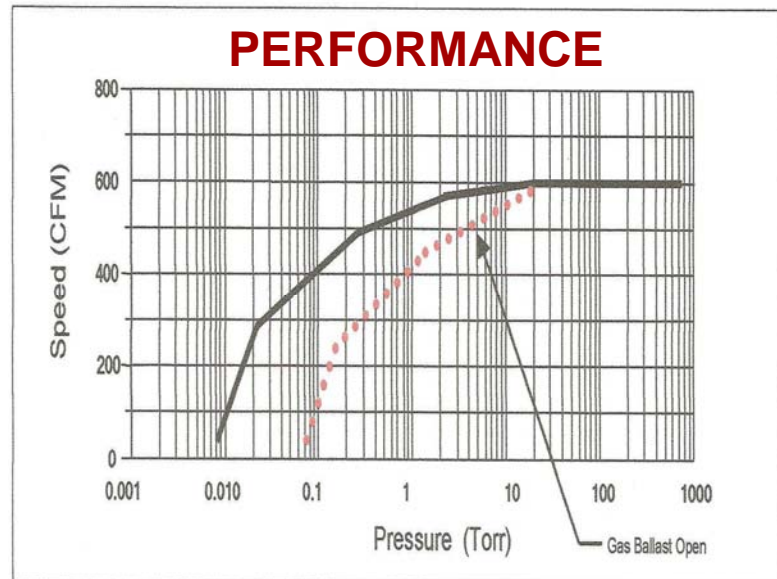
US VACUUM RP series of Rotary Piston vacuum pumps are heavy duty INDUSTRIAL GRADE units capable of producing an ultimate vacuum of 0.010 mmHg (abs).

These units have been EXCLUSIVELY DESIGNED for use in demanding industrial applications where high vacuum, high flow and heavy duty construction are required. The pumps come complete with motor, forced feed lubrication system, mechanical shaft seal, OSHA approved belt guard, vibration mounts and discharge oil mist filter.

Low pump rpm (500-700 rpm) and generous oil supply insures minimal wear and long term durability. Typical applications include transformer drying & degassing, refrigeration evacuation, electron beam welding, .

FEATURES

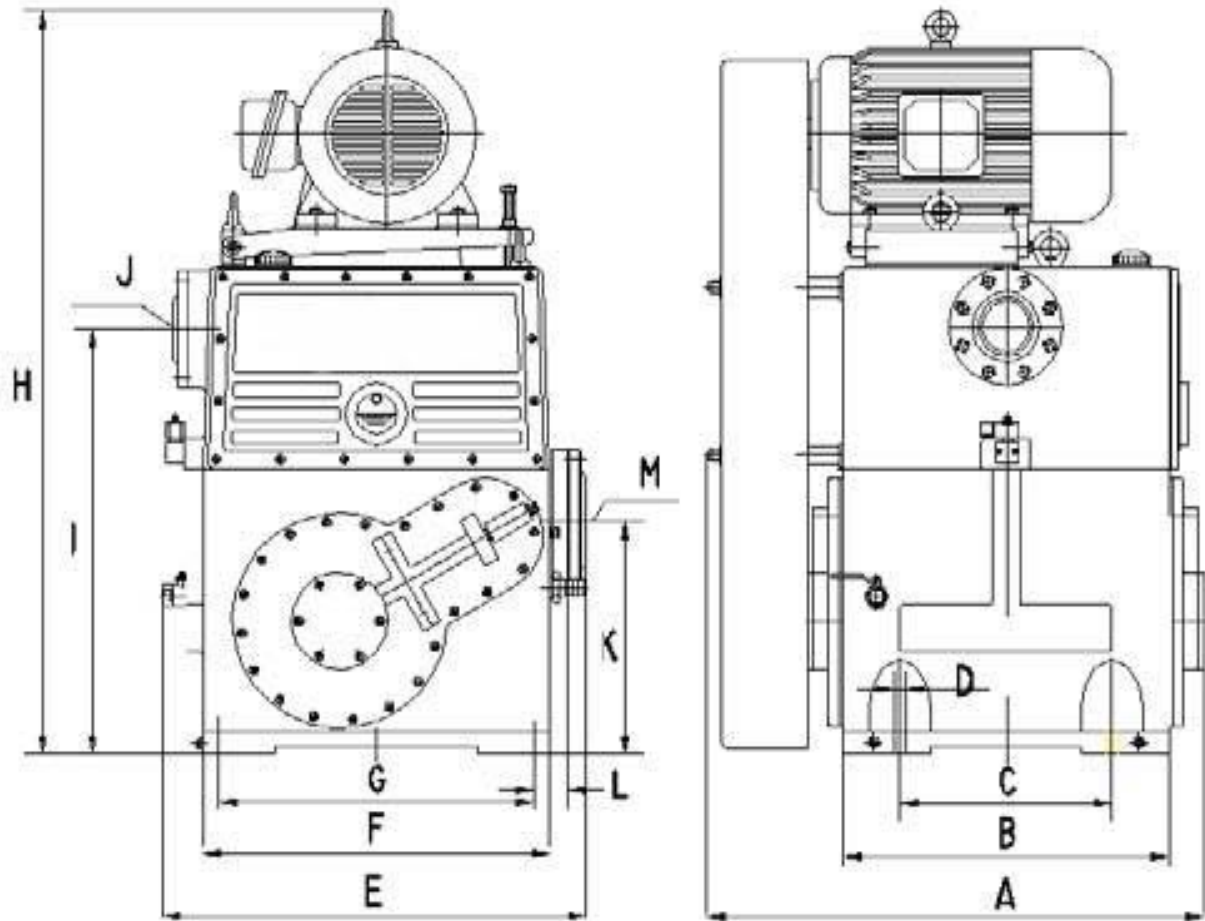
- Industrial Grade
- Forced feed lubrication
- Vibration-free operation
- Long lasting & durable
- Ultimate vacuum to 0.010 Torr



SPECIFICATIONS

Pump Model	RP-630	
Displacement	CFM	635
Ultimate Vacuum	Torr	0.010 (10 Microns)
Motor	Hp	30
Pump Speed	RPM	590
Oil Capacity	Gal	15
Inlet connection	in.	6" ANSI
Exhaust connection	in.	4" NPT
Pump Weight	Lbs.	2800

DIMENSIONS



DIMENSIONS (Inches)													
	A	B	C	D	E	F	G	H	I	J	K	L	M
RP-630	30.3	38.6	25.3	0.94	32.9	26.8	24.4	57.6	32.8	4"	17.9	2.6	6"

US VACUUM

US Vacuum Pumps LLC
P.O. Box 909
Canton, TX 75103
Phone: (888) 416-7366
Fax: (877) 416-7599
WEB: www.usvacuumpumps.com