



# US VACUUM PUMPS

## MODEL: RP-300H

COST EFFECTIVE 300 CFM ROTARY PISTON VACUUM PUMP

PERFORMANCE AND DURABILITY AT A REDUCED COST

INLET TRAPS, EXHAUST FILTERS, FLUIDS AVAILABLE

ALL SPARE PARTS IN STOCK

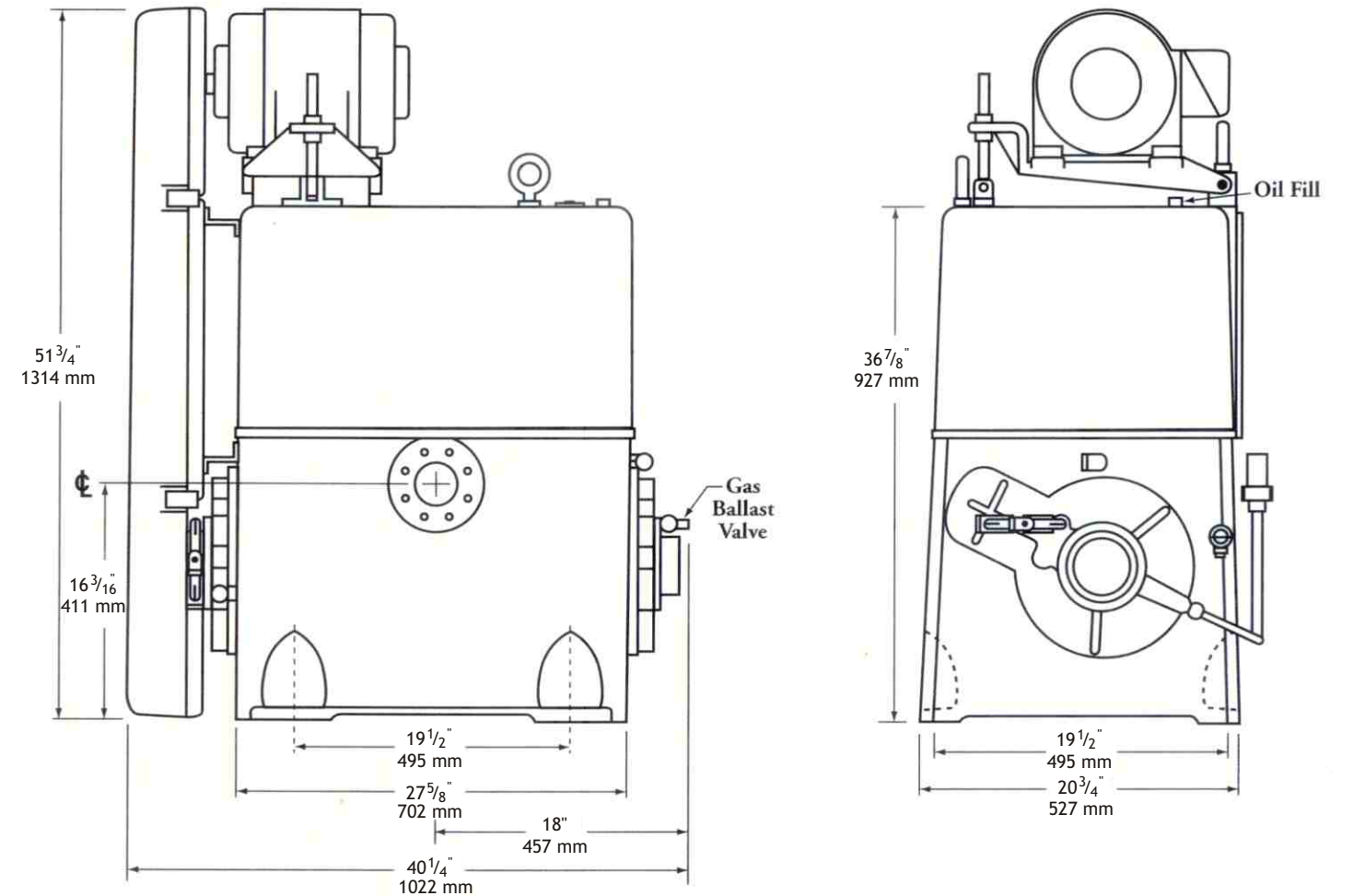
### APPLICATIONS:

- ▶ Vacuum Heat Treating
- ▶ Vacuum Brazing
- ▶ Vacuum Coating
- ▶ Transformer Drying
- ▶ Degasification System
- ▶ Shelf Drying
- ▶ Vacuum Casting
- ▶ E-Beam Welding



Two Year Warranty

## MODEL: RP-300H

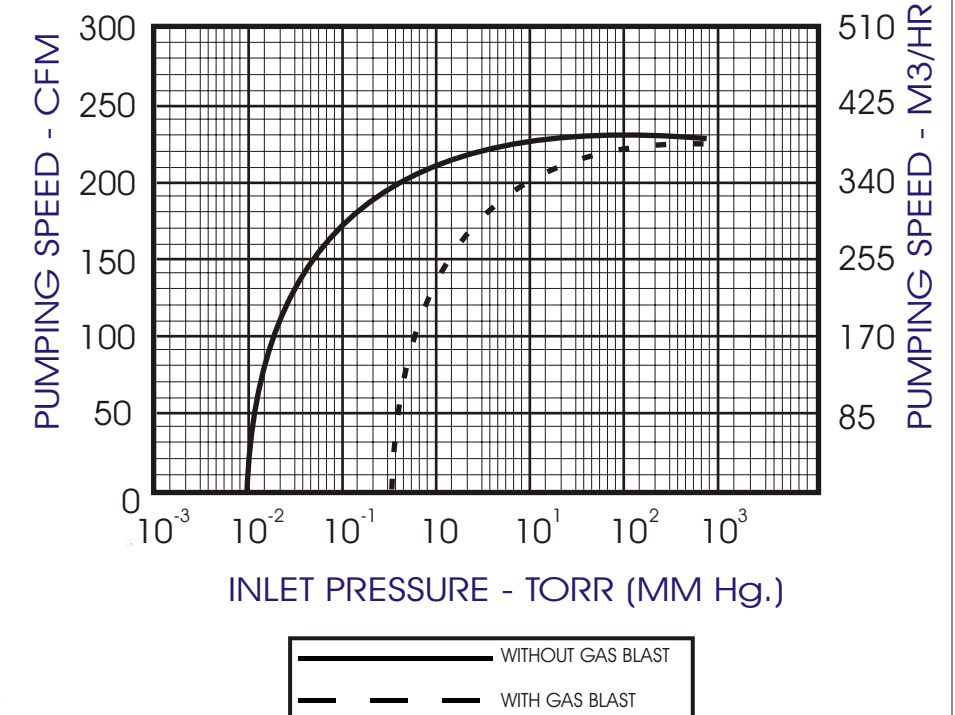


### SPECIFICATIONS

Free Air Displacement ..... 300 CFM (510M<sup>3</sup>/hr)  
 VACUUM STAGES : ..... One  
 Ultimate Pressure: ..... 0.01 TORR  
 Motor Rating: ..... 10 HP 208/230/460V  
 Pump Speed: ..... 490 RPM  
 Oil Capacity: ..... 12 Gals (45 Liters)  
 Weight: ..... 1750 lbs (794 Kgs)  
 Inlet (ASA Flange):..... 4"  
 Outlet (Female NPT).....3"  
 Max Cooling Water 65°F (18°C) 2GPM

C=DIRECT DRIVE; BP=BY-PASS  
 NUMBER VALUE = CFM CAPACITY

**CHICAGO OFFICE**  
 US VACUUM PUMPS LLC  
 PH : 888-416-7366  
 FX : 877-416-7599  
 HELP@USVACUUMPUMPS.COM



**DALLAS OFFICE**  
 US VACUUM PUMPS LLC  
 P.O. BOX 909 CANTON TX 75103  
 PH : 888-416-7466  
 FX : 877-416-7599  
 HELP@USVACUUMPUMPS.COM