

ROTARY PISTON

Single Stage Vacuum Pumps



RP-35C & RP-50C

US VACUUM RP series of Rotary Piston vacuum pumps are heavy duty INDUSTRIAL GRADE units capable of producing an ultimate vacuum of 0.010 mmHg (abs).

These units have been EXCLUSIVELY DESIGNED for use in demanding industrial applications where high vacuum, high flow and heavy duty construction are required. The pumps come complete with motor, oil line solenoid valve, lubrication system, OSHA approved belt guard, discharge oil mist filter and fabricated steel base.

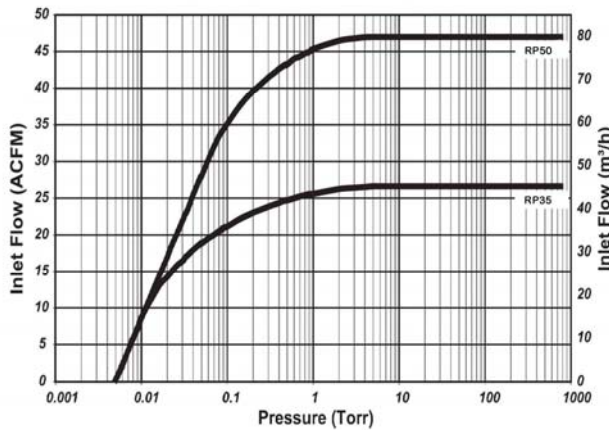
Low pump rpm (424-612 rpm) and generous oil supply insures minimal wear and long term durability. Typical applications include transformer drying & degassing, refrigeration evacuation, vacuum ovens/chambers and general industrial use. Available Belt or direct drive.

FEATURES

- Air Cooled
- Industrial Duty
- Vacuum 0.010mm
- Low operating temperature
- Full Pumping Speed to 1 Torr
- Oversized Exhaust Filtration



PUMPING SPEED CAPACITY CURVES
60Hz

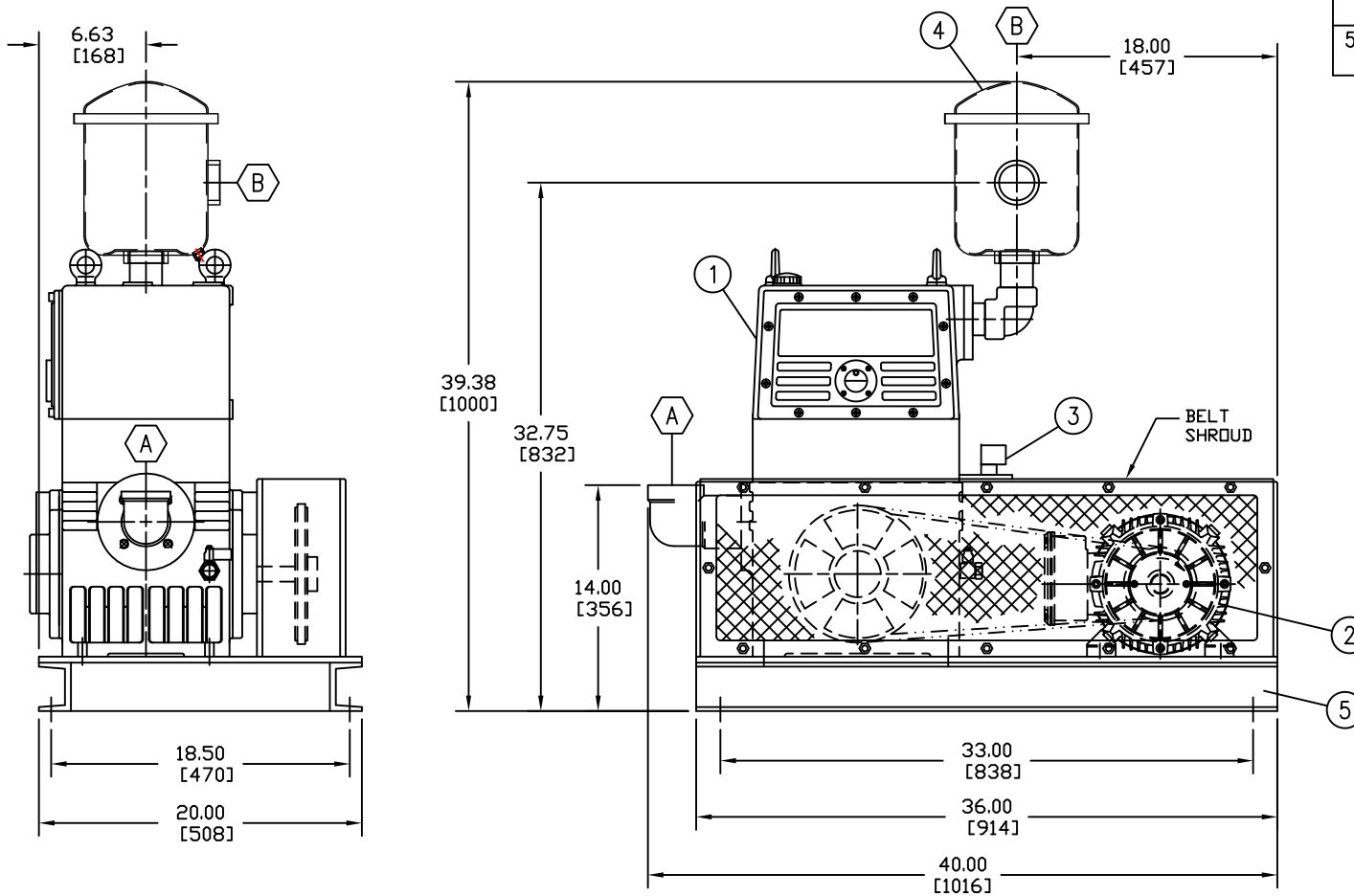


SPECIFICATIONS

| Pump Model | | RP-35 | RP-50 |
|--------------------|------|-------|-------|
| Displacement | CFM | 35 | 52 |
| Ultimate Vacuum | Torr | 0.010 | 0.010 |
| Motor | Hp | 2 | 3 |
| Pump Speed | RPM | 424 | 612 |
| Oil Capacity | Gal | 4 | 4 |
| Inlet connection | in. | 2" | 2" |
| Exhaust connection | in. | 2" | 2" |
| Pump Weight | Lbs. | 485 | 495 |

BILL OF MATERIAL

| NO. | QTY | DESCRIPTION |
|-----|-----|---------------------------------|
| 1 | 1 | VACUUM PUMP MODEL NO.: RP50C |
| 2 | 1 | MOTOR, 3 HP, 230-460V |
| 3 | 1 | SOLENOID VALVE, 460V |
| 4 | 1 | OIL MIST EXHAUST FILTER - 2" |
| 5 | 1 | BASE FRAME |



NOTES:

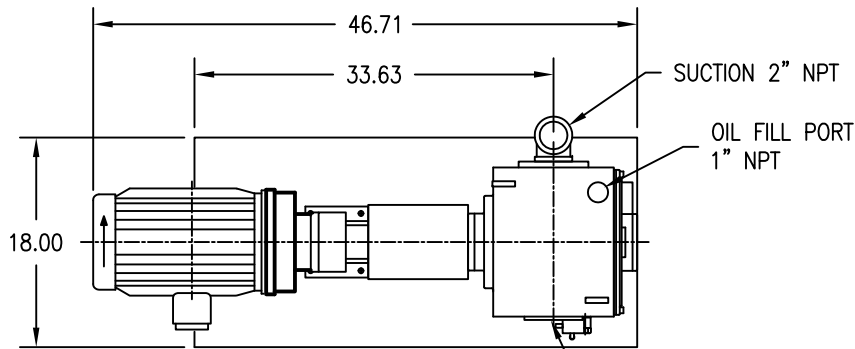
1. DIMENSION TOLERANCE TO 1/2".
2. CUSTOMER IS RESPONSIBLE FOR PROPER LIFTING EQUIPMENT FOR LIFTING SKID.
3. ANCHOR BOLTS ARE NOT FURNISHED WITH SKID.
4. DEFAULT DIMENSIONS = INCHES. BRACKETED DIMENSIONS MILLIMETERS.
5. FOR INFORMATIONAL USE ONLY. DIMENSIONS SHOWN ARE CLOSE ESTIMATES AND ARE SUBJECT TO CHAGE WITHOUT NOTICE. CONTACT US VACUUM IF CERTIFIED DIMENSIONS ARE REQUIRED.
6. USER MUST READ OPERATIONS MANUAL PRIOR TO INSTALLATION & OPERATION OF MACHINE.
7. PAINT = US VACUUM GRAY.

CONNECTION SCHEDULE

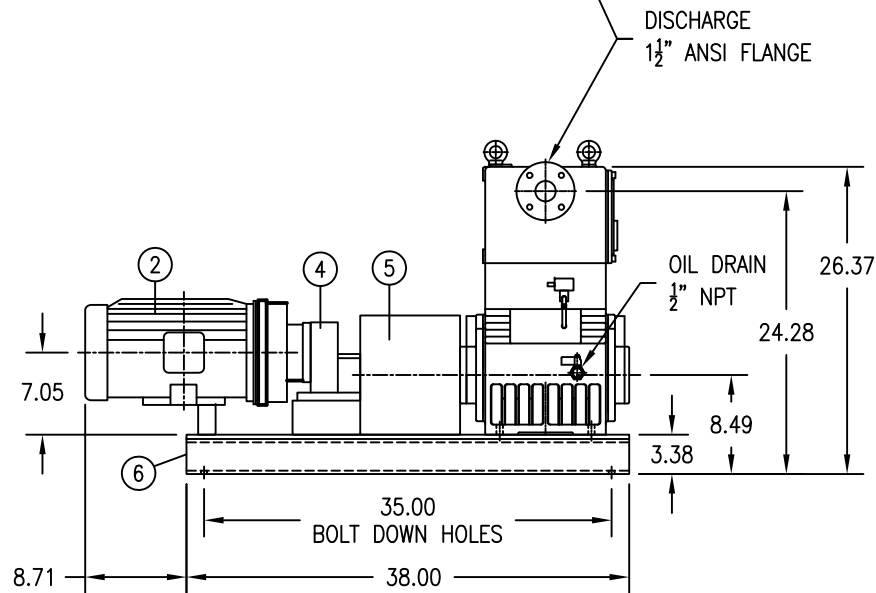
| MK | DESCRIPTION | SIZE/TYPE |
|-----|-------------|-----------|
| (A) | SUCTION | 2" NPT |
| (B) | DISCHARGE | 2" NPT |

| | | | | | | | |
|----------|-----------------|-------------|---|---|----|-----|-----------|
| 0 | INITIAL RELEASE | | | JCM | PD | PD | 18-OCT-17 |
| REV | DESCRIPTION | | | DWN | CK | APP | DATE |
| DWN | JCM | 18-OCT-17 | <small>THIS DRAWING AND ALL INFORMATION SHOWN HEREON ARE THE EXCLUSIVE PROPERTY OF UNYOK VACUUM PUMPS AND ARE SUBMITTED ON A CONFIDENTIAL BASIS ONLY. THE RECIPIENT AGREES NOT TO REPRODUCE THE DISCLOSURE OF THE DRAWING OR THE INFORMATION DRAWING, TO RETURN IT UPON REQUEST AND THAT NO OTHER INFORMATION WILL BE MADE TO THE THIRD PARTY WITHOUT PRIOR WRITTEN CONSENT OF UNYOK.</small> | CERTIFIED DRAWING | | | |
| CK | PD | 18-OCT-17 | | US VACUUM PUMPS, LLC | | | |
| APP | PD | 18-OCT-17 | | P.O. BOX 909 CANTON, TEXAS 75103 PH: 888-416-7466 / FAX: 877-416-7599 | | | |
| SCALE | | NTS | | RP-50C w/ BASE | | | |
| DWG. NO. | | RP-50C.M4C1 | | REV | | 0 | |

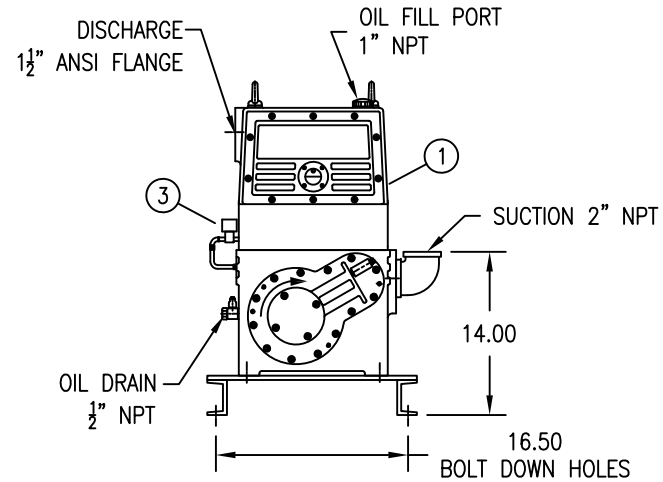
DIMENSIONS ARE IN INCHES [mm]
 WEIGHT IN LBS [kg]
 FIRST ANGLE
 PROJECTION



PLAN



ELEVATION



END VIEW

| NO. | QTY | DESCRIPTION |
|-----|-----|--|
| 1 | 1 | VACUUM PUMP MODEL RP50C-WS |
| 2 | 1 | ELECTRIC MOTOR: 3hp, 230-460v, 1750rpm |
| 3 | 1 | SOLENOID VALVE, 460v, N.C. |
| 4 | 1 | GEARBOX, DODGE HB381 |
| 5 | 1 | COUPLING, DODGE E5 & GUARD |
| 6 | 1 | FRAME, FABRICATED STEEL, 3" |

NOTES:

1. ALL STANDARD UNIT PIPING SHALL BE SCH/40 ASTM A-53 TYPE F C/W 150# ASTM A-197 MALLEABLE IRON THREADED FITTINGS.
2. CUSTOMER IS RESPONSIBLE FOR PROPER LIFTING EQUIPMENT FOR LIFTING SKID.
3. ANCHOR BOLTS ARE NOT FURNISHED WITH UNIT.
4. MOTOR: 3Hp, 1750RPM, 230-460V, 60hz, 3-ph
5. PUMP: 44CFM DISPLACEMENT, MAX VAC 0.050mmHg (Abs).
6. WEIGHTS: OPERATING = 455lbs, SHIPPING = 530lbs.
7. PUMP RPM = 532

DIMENSIONS ARE IN INCHES [mm]
WEIGHT IN LBS [kg]
THIRD ANGLE PROJECTION

| REV | DESCRIPTION | JCM | PD | PD | DATE |
|---|------------------|--|----|-----|-----------|
| 0 | GENERAL REVISION | JCM | PD | PD | 26-FEB-18 |
| DWN | JCM 26-FEB-18 | DWN | CK | APP | DATE |
| CK | PD 26-FEB-18 | CERTIFIED DRAWING | | | |
| APP | PD 26-FEB-18 | | | | |
| SCALE NTS | | US VACUUM PUMPS, LLC P.O. BOX 909 CANTON, TEXAS 75103 PH: 888-416-7466 / FAX: 877-416-7599 | | | |
| RP-50C WS VACUUM PUMP SYSTEM SKID MOUNTED | | | | | |
| DWG. NO. US-GA-RP50C-DD-FRM-10 | | | | | REV 0 |