

# ROTARY PISTON

## Single Stage Vacuum Pumps



### RP-35 & RP-50

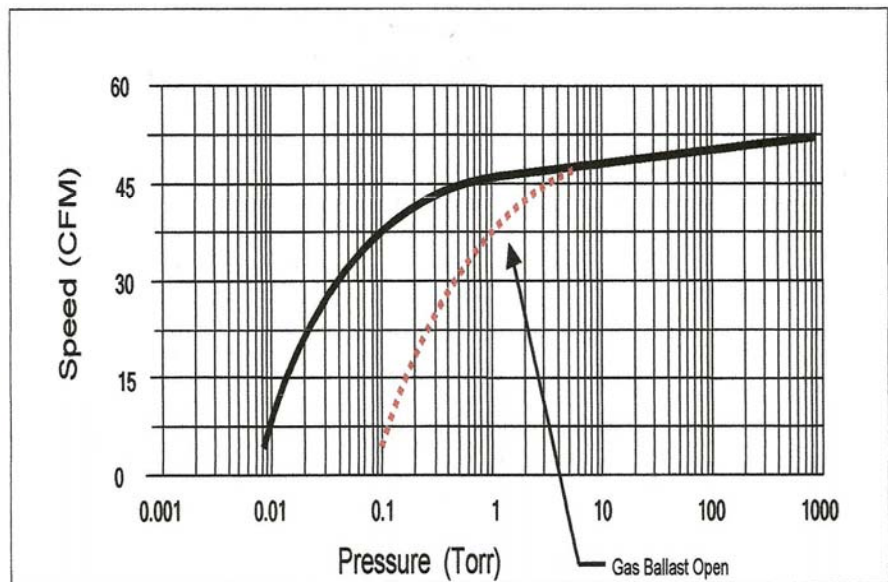
**US VACUUM** RP series of Rotary Piston compound vacuum pumps are heavy duty INDUSTRIAL GRADE units capable of producing an ultimate vacuum of 0.010 mmHg (abs).

These units have been EXCLUSIVELY DESIGNED for use in demanding industrial applications where high vacuum, high flow and heavy duty construction are required. The pumps come complete with motor, oil line solenoid valve, lubrication system, OSHA approved belt guard, vibration mounts and discharge oil mist filter.

Low pump rpm (400-550 rpm) and generous oil supply insures minimal wear and long term durability. Typical applications include transformer drying & degassing, refrigeration evacuation, vacuum ovens/chambers and general industrial use.

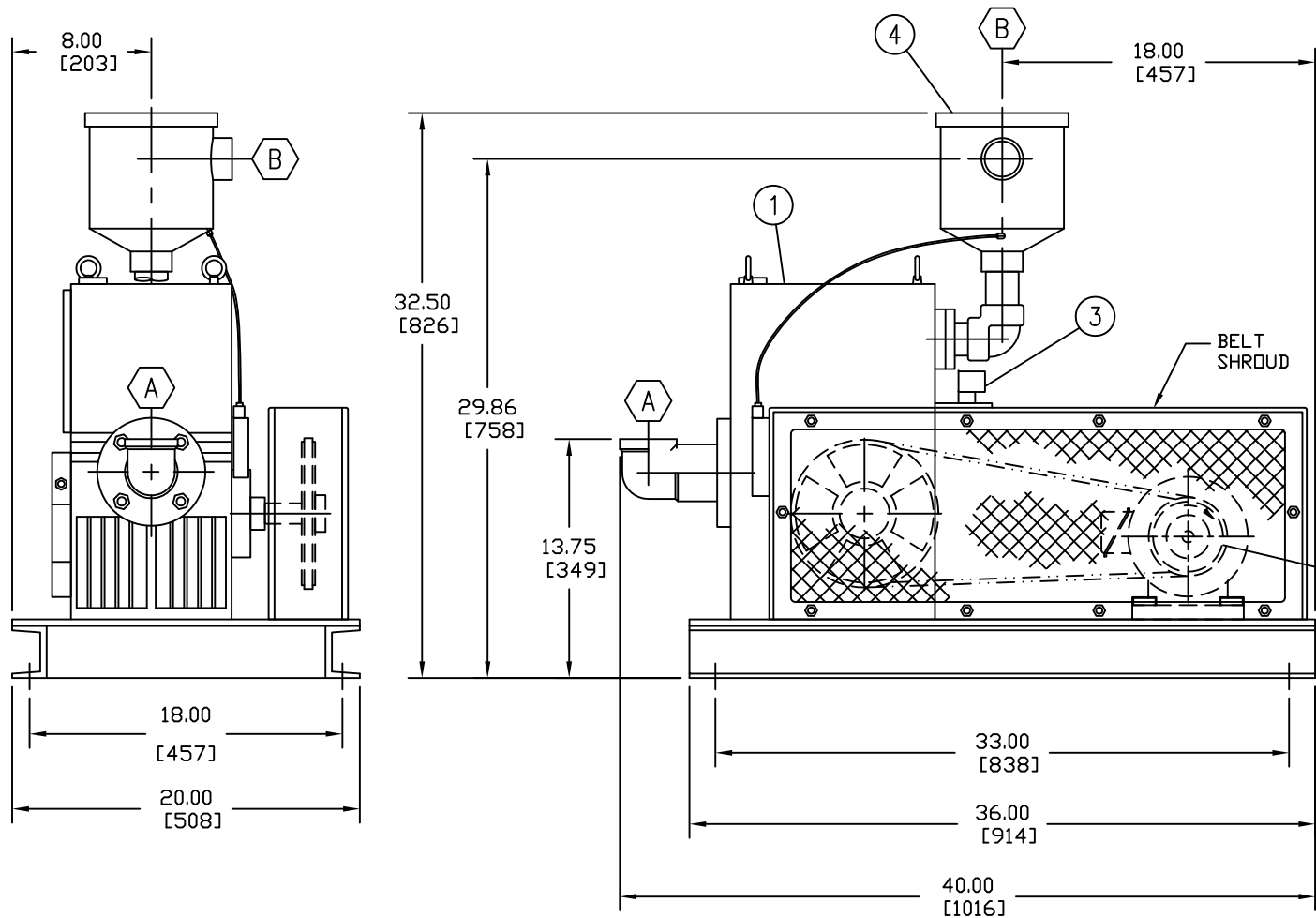
#### FEATURES

- Air Cooled
- Low Vibration
- Long lasting & durable
- Full pumping speed down to 1 Torr
- Absolute pressures to 0.010 Torr



## SPECIFICATIONS

| Pump Model         |      | RP-35 | RP-50 |
|--------------------|------|-------|-------|
| Displacement       | CFM  | 37    | 52    |
| Ultimate Vacuum    | Torr | 0.010 | 0.010 |
| Motor              | Hp   | 1.5   | 2     |
| Pump Speed         | RPM  | 400   | 550   |
| Oil Capacity       | Gal  | 2     | 2     |
| Inlet connection   | in.  | 2"    | 2"    |
| Exhaust connection | in.  | 1.5"  | 1.5"  |
| Pump Weight        | Lbs. | 380   | 385   |



| BILL OF MATERIAL |     |                                  |
|------------------|-----|----------------------------------|
| NO.              | QTY | DESCRIPTION                      |
| 1                | 1   | VACUUM PUMP<br>MODEL NO.: RO-50C |
| 2                | 1   | MOTOR, 2 HP, 230-460V            |
| 3                | 1   | SOLENOID VALVE, 460V             |
| 4                | 1   | OIL MIST EXHAUST FILTER          |
| 8                | 1   | BASE FRAME                       |

**NOTES:**

1. DIMENSION TOLERANCE TO 1/2".
2. CUSTOMER IS RESPONSIBLE FOR PROPER LIFTING EQUIPMENT FOR LIFTING SKID.
3. ANCHOR BOLTS ARE NOT FURNISHED WITH SKID.
4. DEFAULT DIMENSIONS = INCHES. BRACKETED DIMENSIONS MILLIMETERS.
5. FOR INFORMATIONAL USE ONLY. DIMENSIONS SHOWN ARE CLOSE ESTIMATES AND ARE SUBJECT TO CHANGE WITHOUT NOTICE. CONTACT US VACUUM IF CERTIFIED DIMENSIONS ARE REQUIRED.
6. USER MUST READ OPERATIONS MANUAL PRIOR TO INSTALLATION & OPERATION OF MACHINE.
7. PAINT = US VACUUM GRAY.

| CONNECTION SCHEDULE |             |           |
|---------------------|-------------|-----------|
| MK                  | DESCRIPTION | SIZE/TYPE |
| A                   | SUCTION     | 2" NPT    |
| B                   | DISCHARGE   | 1.5" NPT  |

|           |                 |           |   |   |     |     |           |
|-----------|-----------------|-----------|---|---|-----|-----|-----------|
| 0         | INITIAL RELEASE |           |   | JCM   | PD  | PD  | 06-OCT-14 |
| REV       | DESCRIPTION     |           |   | DWN   | CK  | APP | DATE      |
| DWN       | JCM             | 06-OCT-14 | <small>THIS DRAWING AND ALL INFORMATION SHOWN HEREON ARE THE EXCLUSIVE PROPERTY OF DMYXX VACUUM PUMPS AND ARE SUBMITTED ON A CONFIDENTIAL BASIS ONLY. THE RECIPIENT AGREES NOT TO REPRODUCE THE DISCLOSURE OF THE DRAWING OR THE INFORMATION DRAWING, TO RETURN IT UPON REQUEST AND THAT NO SHOW HEREON WILL BE MADE TO THE THIRD PARTY WITHOUT PRIOR WRITTEN CONSENT OF DMYXX.</small> | CERTIFIED DRAWING   |     |     |           |
| CK        | PD              | 06-OCT-14 |   | <b>US VACUUM PUMPS, LLC</b>   |     |     |           |
| APP       | PD              | 06-OCT-14 |   | P.O. BOX 909<br>CANTON, TEXAS 75103<br>PH: 888-416-7466 / FAX: 877-416-7599 |     |     |           |
| SCALE NTS |                 |           |   | RP-50C<br>w/ BASE   |     |     |           |
|           |                 |           | DWG. NO.  |   | REV |     |           |
|           |                 |           | RP-50C  |   | 0   |     |           |

DIMENSIONS ARE IN INCHES [mm]  
WEIGHT IN LBS [kg]

FIRST ANGLE PROJECTION