

ROTARY PISTON

Vacuum Pump

For Hydrogen Seal Oil Purifiers



US VACUUM PUMPS LLC Model RP-50B-WS Rotary Piston vacuum pump is a heavy duty INDUSTRIAL GRADE unit capable of producing an ultimate vacuum of 50 microns abs (29.9"+ Hg).

The system has been EXCLUSIVELY DESIGNED for use in the power generating industry to distill off condensed water vapor out of generator turbine oil. The motor and solenoid valve are explosion-proof rated and an inline gear reducer is used to address safety concerns for the presence of hydrogen in the process gas stream.

Low pump rpm (350 rpm) and generous oil supply insures minimal wear to the pump from water diluted oil resulting in an exceptionally durable vacuum pumping system. One can easily expect 20+ years of use from this pumping system with only a minimal of routine maintenance required.

FEATURES

- Air or Water cooling
- 304SST oil tank
- Long lasting & durable
- Full pumping speed down to 1 Torr
- Absolute pressures to 0.050 Torr
- Designed for heavy vapor loads

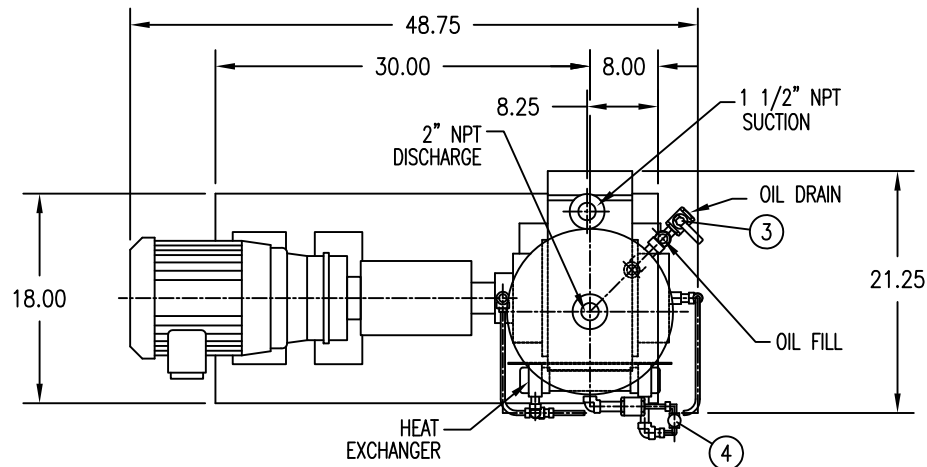


MADE IN THE USA

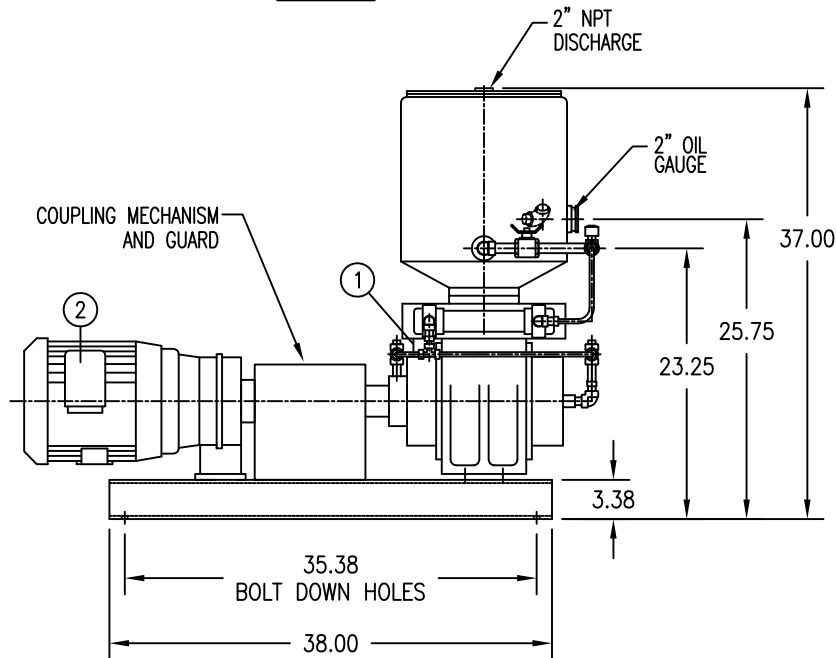
SPECIFICATIONS

Pump Model	RP50B-WS	
Displacement	CFM	47
Ultimate Vacuum	Torr	0.050 (29.9"+Hg)
Motor	Hp	3
Pump Speed	RPM	350
Oil Capacity	Qt	15
Inlet connection	in.	1.5" NPT
Exhaust connection	in.	2" NPT
Pump Weight	Lbs.	750

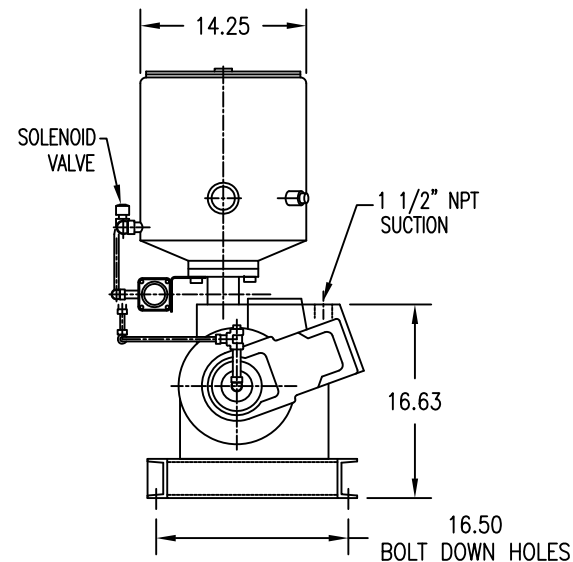
US Vacuum Pumps LLC P.O. Box 909 Canton, TX 75103
Phone: (888) 416-7366 Fax: (877) 416-7599 www.usvacuumpumps.com



PLAN



ELEVATION



END VIEW

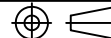
NO.	QTY	DESCRIPTION
1	1	VACUUM PUMP MODEL RP50B-WS
2	1	ELECTRIC MOTOR - 3HP, 3 PHASE 230/460v, EXP, 1750 RPM
3	1	OIL DRAIN VALVE, BRASS 1/2"
4	1	SOLENOID VALVE, EXP 460v

NOTES:

1. ALL STANDARD UNIT PIPING SHALL BE SCH/40 ASTM A-53 TYPE F C/W 150# ASTM A-197 MALLEABLE IRON THREADED FITTINGS.
2. DIMENSION TOLERANCE TO 1/4".
3. CUSTOMER IS RESPONSIBLE FOR PROPER LIFTING EQUIPMENT FOR LIFTING SKID.
4. ANCHOR BOLTS ARE NOT FURNISHED WITH UNIT.

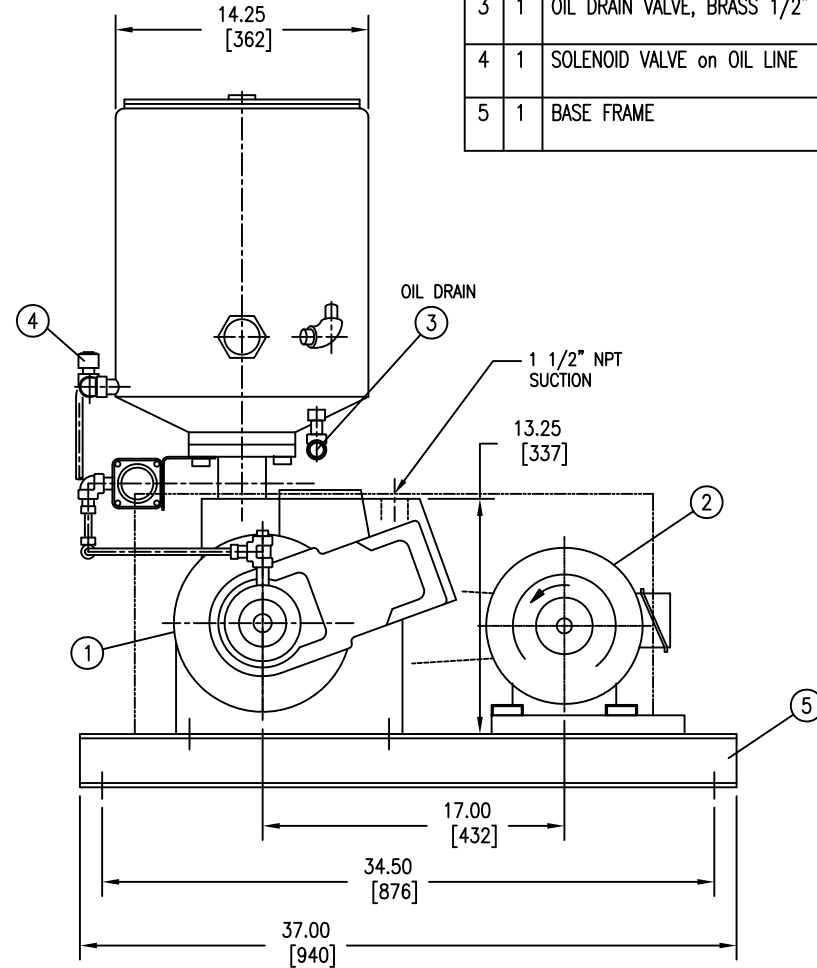
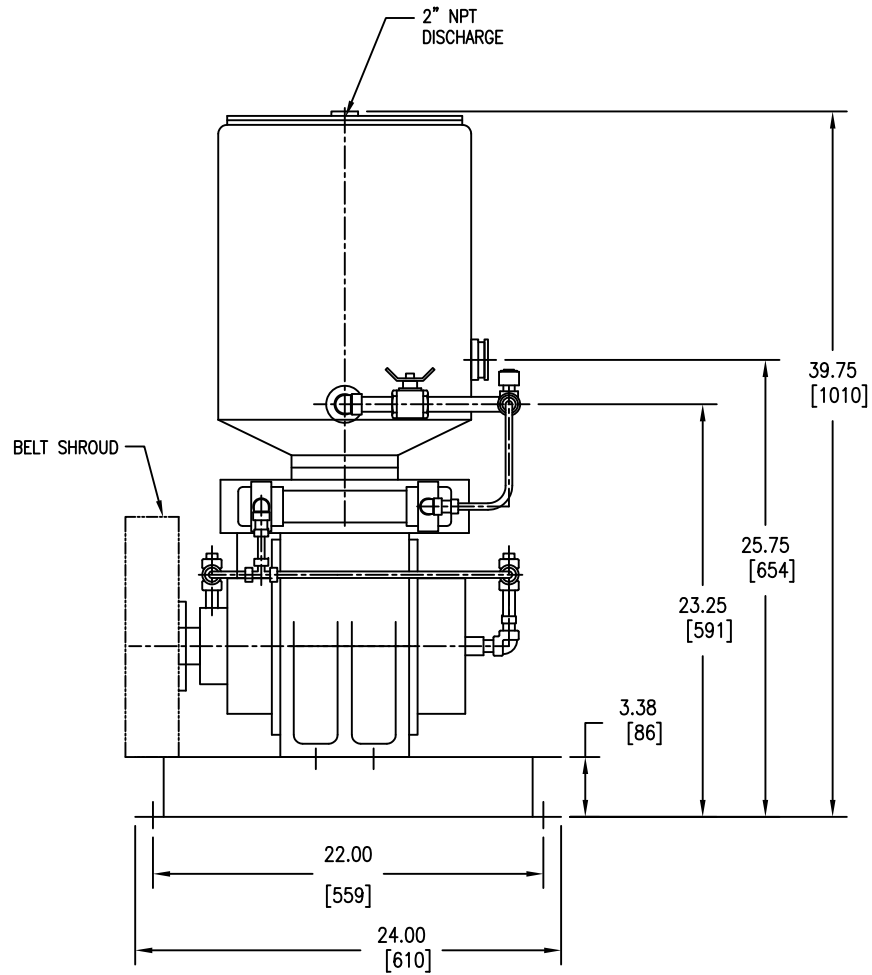
DIMENSIONS ARE IN INCHES [mm]
WEIGHT IN LBS [kg]

THIRD ANGLE
PROJECTION



0	GENERAL REVISION			JCM	PD	PD	24-SEP-14
REV	DESCRIPTION			DWN	CK	APP	DATE
DWN	JCM	24-SEP-14	THIS DRAWING AND ALL INFORMATION SHOWN HEREON ARE THE EXCLUSIVE PROPERTY OF US VACUUM PUMPS, AND ARE SUBMITTED ON A CONFIDENTIAL BASIS ONLY. THE RECIPIENT AGREES NOT TO REPRODUCE THE DISCLOSURE OF THE DRAWING AND THAT NO SHOWN HEREON WILL BE MADE TO THE THIRD PARTY WITHOUT PRIOR WRITTEN CONSENT OF US VACUUM.	CERTIFIED DRAWING			
CK	PD	24-SEP-14		US VACUUM PUMPS, LLC			
APP	PD	24-SEP-14		P.O. BOX 909 CANTON, TEXAS 75103 PH: 888-416-7466 / FAX: 877-416-7599			
SCALE 1/2"=1'-0"							
RP-50B WS VACUUM PUMP SYSTEM SKID MOUNTED							
DWG. NO. US-GA-RP50B-FRM-8							REV 0

NO.	QTY	DESCRIPTION
1	1	VACUUM PUMP MODEL RP-50B
2	1	ELECTRIC MOTOR - 3HP, 3 PHASE 230/460
3	1	OIL DRAIN VALVE, BRASS 1/2"
4	1	SOLENOID VALVE on OIL LINE
5	1	BASE FRAME



NOTES:

1. ALL STANDARD UNIT PIPING SHALL BE SCH/40 ASTM A-53 TYPE F C/W 150# ASTM A-197 MALLEABLE IRON THREADED FITTINGS.
2. DIMENSION TOLERANCE TO 1/4".
3. CUSTOMER IS RESPONSIBLE FOR PROPER LIFTING EQUIPMENT FOR LIFTING SKID.
4. ANCHOR BOLTS ARE NOT FURNISHED WITH UNIT.

DIMENSIONS ARE IN INCHES [mm]
WEIGHT IN LBS [kg]

THIRD ANGLE PROJECTION

0	GENERAL REVISION			JCM	PD	PD	23-SEP-14
REV	DESCRIPTION			DWN	CK	APP	DATE
DWN	JCM	23-SEP-14	THIS DRAWING AND ALL INFORMATION SHOWN HEREIN ARE THE EXCLUSIVE PROPERTY OF US VACUUM PUMPS, AND ARE SUBMITTED ON A CONFIDENTIAL BASIS ONLY. THE RECIPIENT AGREES NOT TO REPRODUCE THE DISCLOSURE OF THE DRAWING AND THAT NO SHOW HEREIN WILL BE MADE TO THE THIRD PARTY WITHOUT PRIOR WRITTEN CONSENT OF US VACUUM.	CERTIFIED DRAWING			
CK	PD	23-SEP-14		US VACUUM PUMPS, LLC			
APP	PD	23-SEP-14		P.O. BOX 909 CANTON, TEXAS 75103 PH: 888-416-7466 / FAX: 877-416-7599			
SCALE		NTS		RP-50B WS VACUUM PUMP SYSTEM BELT DRIVE SKID MOUNTED			
DWG. NO.		US-GA-RP50B-FRM-7		REV		0	