

# ROTARY PISTON

## Single Stage Vacuum Pumps



### RP-90 & RP-130

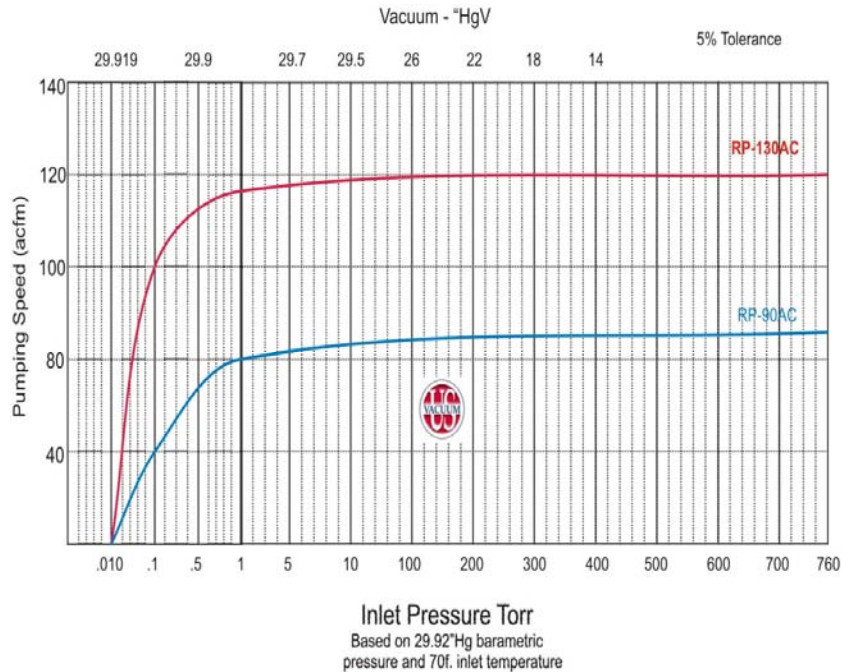
**US VACUUM PUMPS LLC** Model RP-130AC Rotary Piston vacuum pump is a heavy duty INDUSTRIAL GRADE vacuum pump capable of producing an ultimate vacuum of 10 microns abs (29.9" Hg).

The system has been EXCLUSIVELY DESIGNED for use in demanding industrial applications where high vacuum, high flow and vibration free operation are desired. The system components include the vacuum pump, motor, solenoid valve, oil pump, V-belt & guard, vibration mounts and discharge oil mist filter.

Low pump rpm (700 rpm) and generous oil supply insures minimal wear and long term durability. Typical applications include transformer drying, degassing, packaging, vacuum forming and general industrial uses.

#### FEATURES

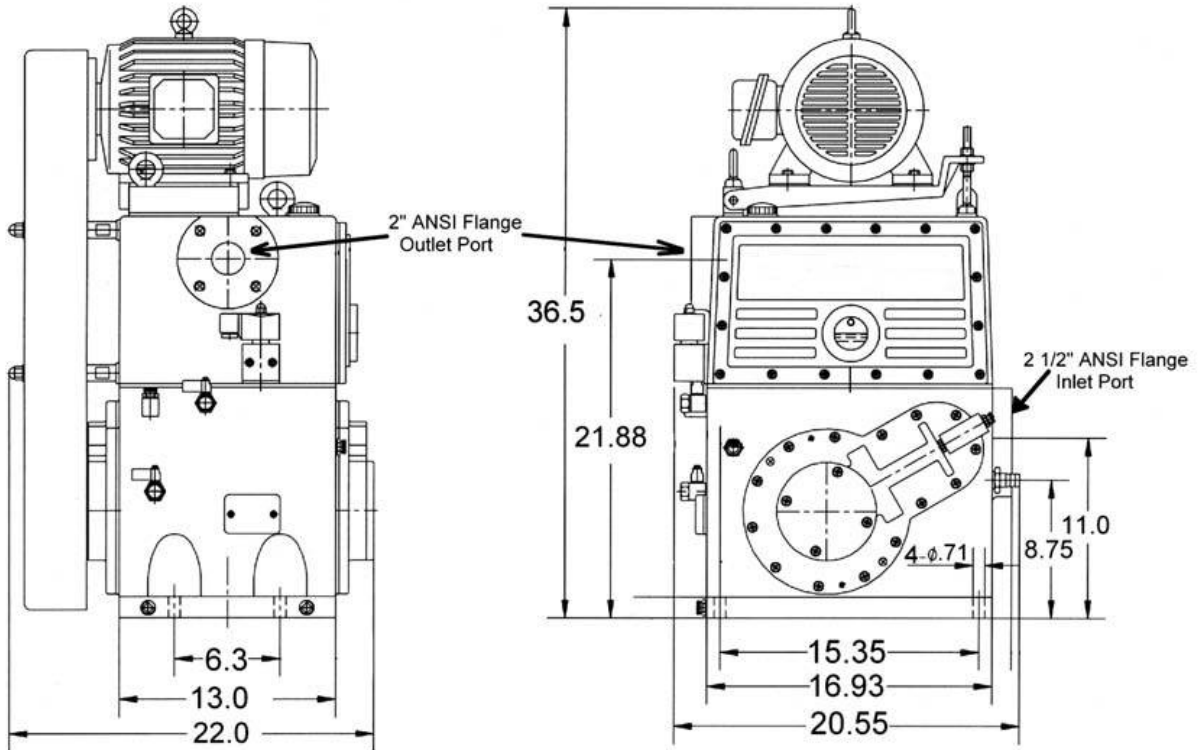
- Air Cooled
- Forced feed lubrication
- Vibration-free operation
- Long lasting & durable
- Full pumping speed down to 1 Torr
- Absolute pressures to 0.010 Torr



## SPECIFICATIONS

Pump Model		RP-90	RP-130
Displacement	CFM	93	130
Ultimate Vacuum	Torr	0.010 mmHg	0.010mmHg
Motor	Hp	3	5
Pump Speed	rpm	500	700
Oil Capacity	Gal	5	5
Inlet connection (NPT)	in.	2.5"	2.5"
Exhaust connection	in.	2"	2"
Cooling		AIR	AIR
Pump Weight	Lbs.	735	750

# DIMENSIONS



## US VACUUM

US Vacuum Pumps LLC  
P.O. Box 909  
Canton, TX 75103  
Phone: (888) 416-7366  
Fax: (877) 416-7599  
WEB: [www.usvacuumpumps.com](http://www.usvacuumpumps.com)