

# ROTARY PISTON 2-Stage Vacuum Pumps



## RPC-20 & RPC-30

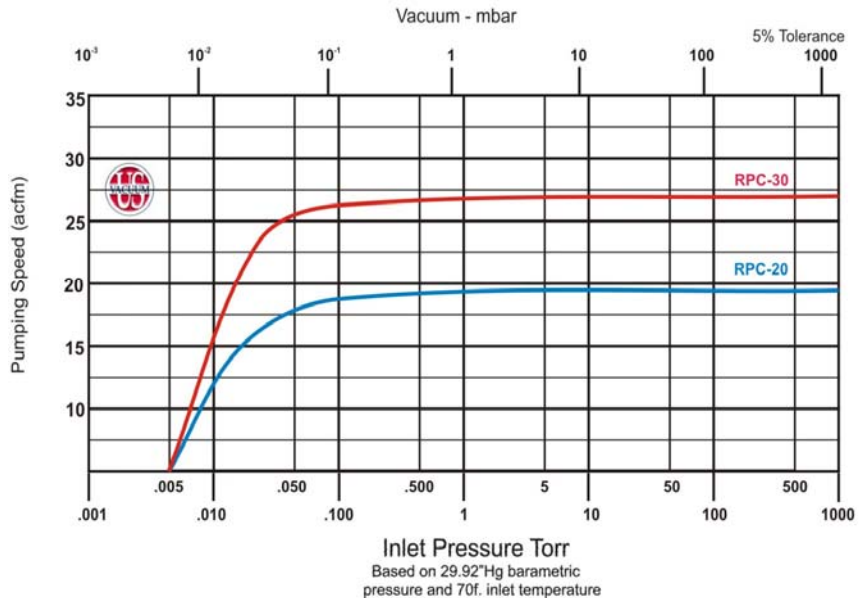
**US VACUUM** RPC series of Rotary Piston compound vacuum pumps are heavy duty INDUSTRIAL GRADE units capable of producing an ultimate vacuum of 0.002 mmHg (abs).

These units have been EXCLUSIVELY DESIGNED for use in demanding industrial applications where high vacuum, high flow and heavy duty construction are required. The pumps come complete with motor, oil line solenoid valve, forced feed lubrication system, OSHA approved belt guard, vibration mounts and discharge oil mist filter.

Low pump rpm (400-550 rpm) and generous oil supply insures minimal wear and long term durability. Typical applications include transformer drying & degassing, refrigeration evacuation, vacuum ovens/chambers and general industrial use.

### FEATURES

- Air Cooled
- Low Vibration
- Long lasting & durable
- Full pumping speed down to 0.10 Torr
- Absolute pressures to 0.005 Torr
- Large generous oil supply

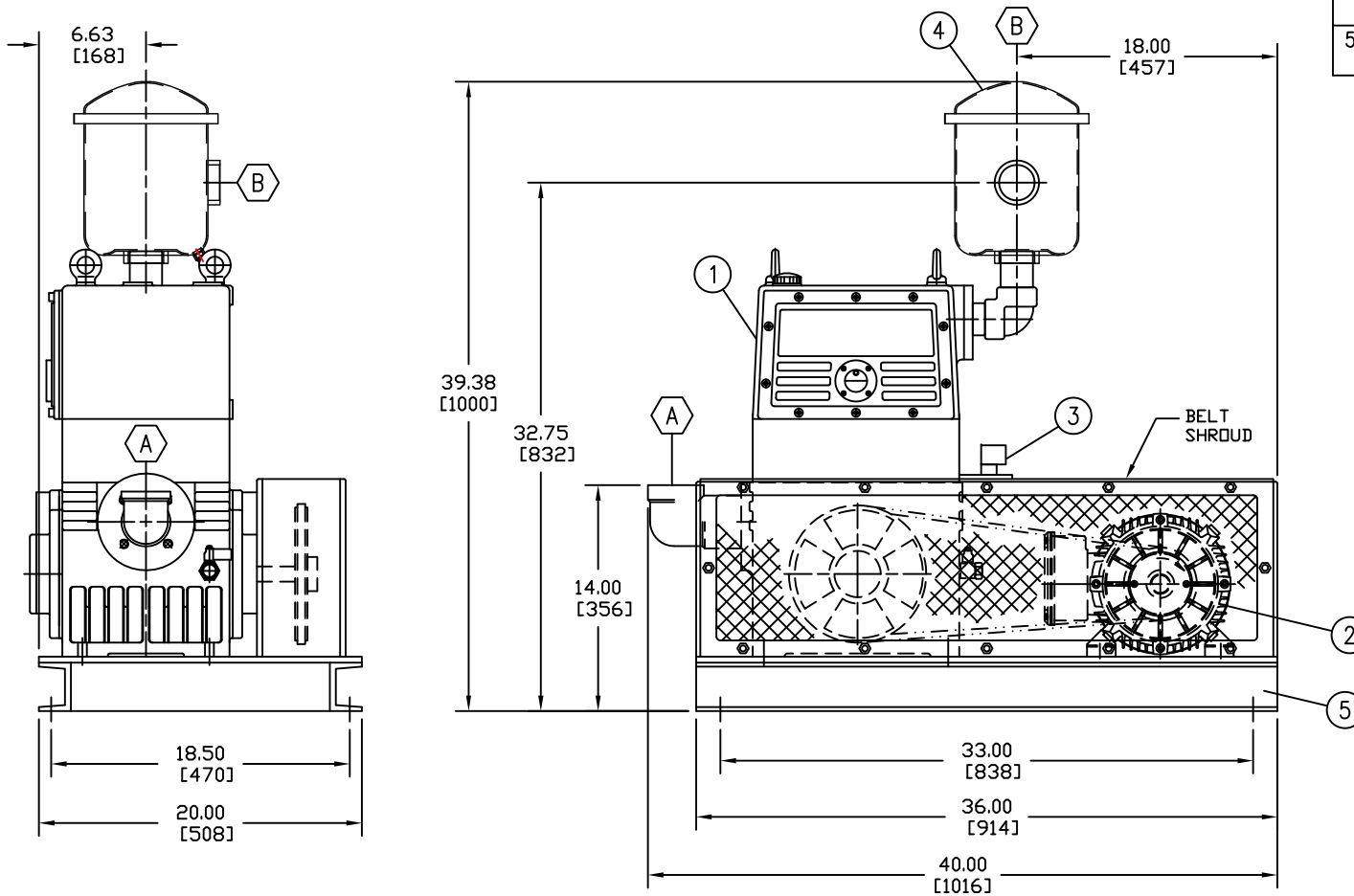


## SPECIFICATIONS

Pump Model		RPC-20	RPC-30
Displacement	CFM	23	32
Ultimate Vacuum	Torr	0.005	0.005
Motor	Hp	1.5	2
Pump Speed	RPM	400	550
Oil Capacity	Gal	4	4
Inlet connection	in.	2"	2"
Exhaust connection	in.	1.5"	1.5"
Pump Weight	Lbs.	485	495

BILL OF MATERIAL

NO.	QTY	DESCRIPTION
1	1	VACUUM PUMP MODEL NO.: RP50C
2	1	MOTOR, 3 HP, 230-460V
3	1	SOLENOID VALVE, 460V
4	1	OIL MIST EXHAUST FILTER - 2"
5	1	BASE FRAME



NOTES:

1. DIMENSION TOLERANCE TO 1/2".
2. CUSTOMER IS RESPONSIBLE FOR PROPER LIFTING EQUIPMENT FOR LIFTING SKID.
3. ANCHOR BOLTS ARE NOT FURNISHED WITH SKID.
4. DEFAULT DIMENSIONS = INCHES. BRACKETED DIMENSIONS MILLIMETERS.
5. FOR INFORMATIONAL USE ONLY. DIMENSIONS SHOWN ARE CLOSE ESTIMATES AND ARE SUBJECT TO CHAGE WITHOUT NOTICE. CONTACT US VACUUM IF CERTIFIED DIMENSIONS ARE REQUIRED.
6. USER MUST READ OPERATIONS MANUAL PRIOR TO INSTALLATION & OPERATION OF MACHINE.
7. PAINT = US VACUUM GRAY.

CONNECTION SCHEDULE

MK	DESCRIPTION	SIZE/TYPE
(A)	SUCTION	2" NPT
(B)	DISCHARGE	2" NPT

0	INITIAL RELEASE				JCM	PD	PD	18-OCT-17
REV	DESCRIPTION				DWN	CK	APP	DATE
DWN	JCM	18-OCT-17	<small>THIS DRAWING AND ALL INFORMATION SHOWN HEREON ARE THE EXCLUSIVE PROPERTY OF UNYOK VACUUM PUMPS AND ARE SUBMITTED ON A CONFIDENTIAL BASIS ONLY. THE RECIPIENT AGREES NOT TO REPRODUCE THE DISCLOSURE OF THE DRAWING OR THE INFORMATION DRAWING, TO RETURN IT UPON REQUEST AND THAT NO OTHER PARTY WILL BE MADE TO THE THIRD PARTY WITHOUT PRIOR WRITTEN CONSENT OF UNYOK.</small>					
CK	PD	18-OCT-17						
APP	PD	18-OCT-17						
SCALE		NTS		<p style="text-align: center;"><b>RP-50C</b> w/ BASE</p>				
				<p><b>CERTIFIED DRAWING</b></p> <p><b>US VACUUM PUMPS, LLC</b></p> <p>P.O. BOX 909 CANTON, TEXAS 75103 PH: 888-416-7466 / FAX: 877-416-7599</p>				
				DWG. NO.			REV	
				RP-50C.M4C1			0	

DIMENSIONS ARE IN INCHES [mm]  
WEIGHT IN LBS [kg]

FIRST ANGLE  
PROJECTION