



US VACUUM PUMPS

TV-63D & TV-100D Rotary Vane Vacuum Pumps

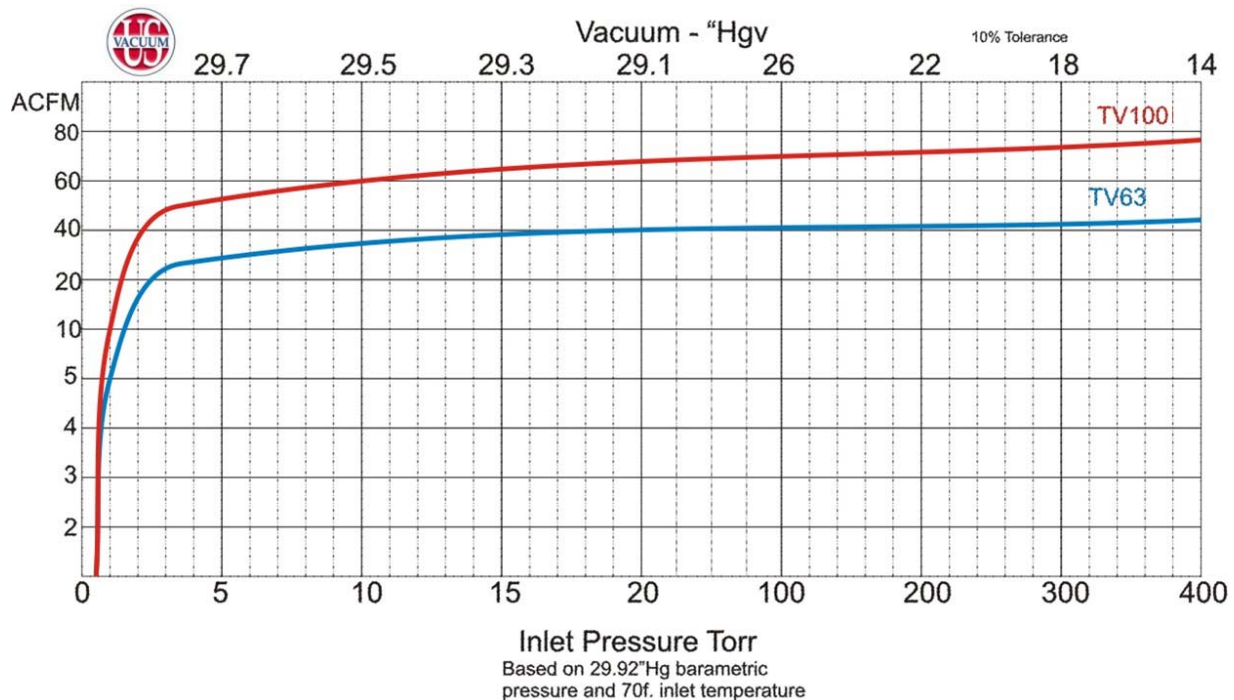


U.S. VACUUM TV vacuum pumps are Single stage Air-cooled Rotary Vane Direct drive vacuum pumps capable of producing an ultimate vacuum of 29.9" Hg (0.5 mm Hg) . The pumps are rugged and designed for continuous operation in industrial applications.

These pumps are compact, quiet and meet the needs of both the industrial and O.E.M. user. Features include integral oil mist filter providing a 99.9% oil free discharge, non-return valve to isolate the pump in the event of power failure and air cooled design for installation in any location where power is available.

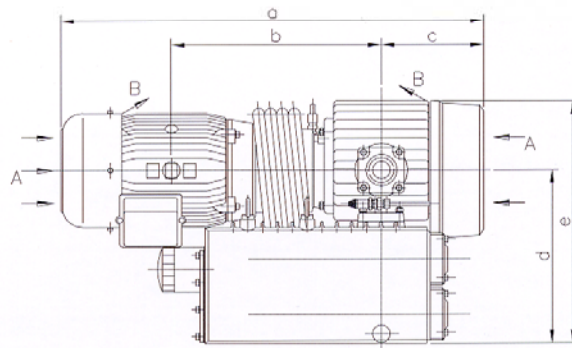
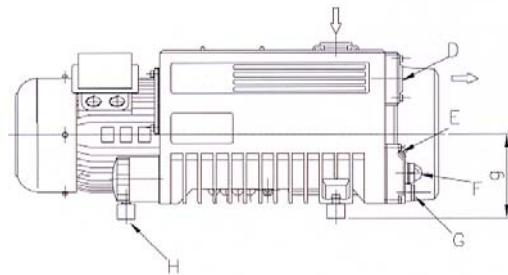
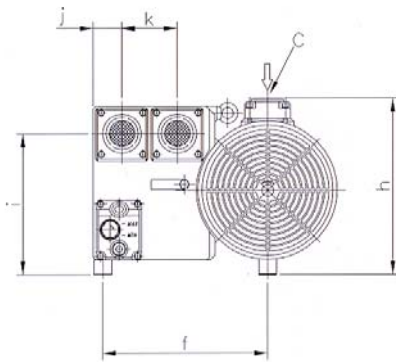
TECHNICAL DATA

PUMP TYPE		TV-63D	TV-100D
Pump Capacity (Displacement)	CFM	45	70
Rotational Speed	RPM	1725	1725
Ultimate Vacuum	Torr	0.5	0.5
Motor	Hp	3	5
Oil capacity	Qts	3	5
Noise level	db(A)	68	70
Inlet/outlet connections	inches	1.25	1.25
Weight	Lbs	134	190



TV-63D/100D

- A Cooling air entry
- B Cooling air exhaust
- C Inlet
- D Exhaust
- E Oil Fill
- F Oil sight glass
- G Oil drain plug



DIMENSIONS (MM)	A	B	C	D	E	F	G	H	I	J	K
TV-63D	708	390	148	343	457	330	155	302	219	57	95
TV-100D	787	432	178	343	457	330	155	302	219	57	95

All dimensions in mm
25.4 mm = 1"