



US VACUUM PUMPS LLC

USV-7F & USV15F

ROTARY VANE SINGLE STAGE VACUUM PUMP



US VACUUM pumps Model USV-7F/15F are Single stage, Air-cooled, Rotary vane vacuum pump capable of producing an ultimate vacuum to 2 mm Hg (29.8" Hg).

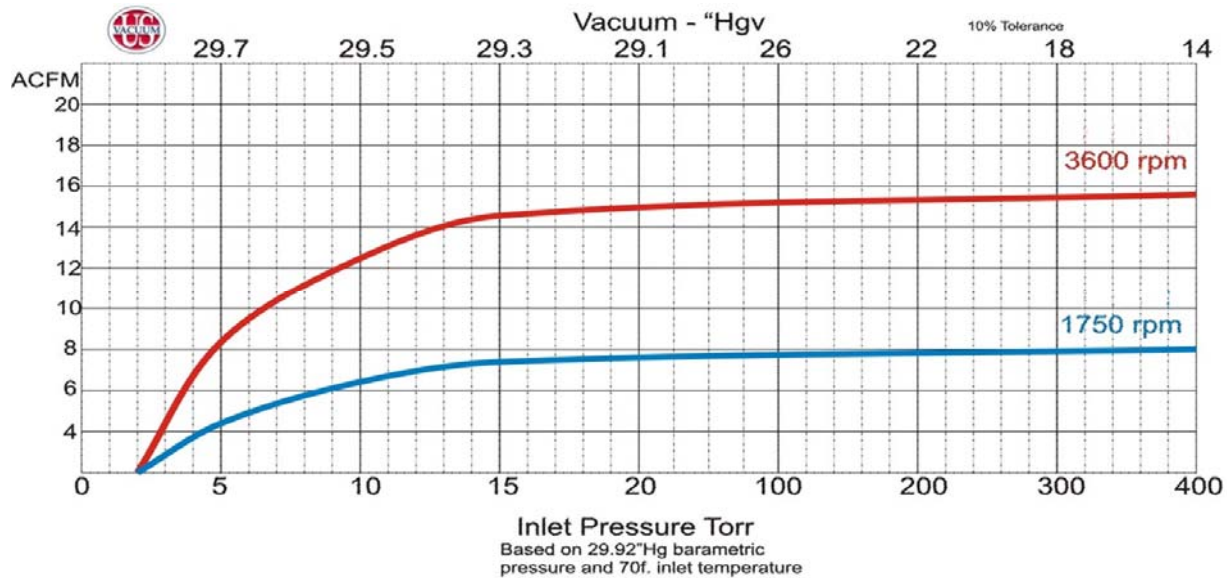
The pumps are small and compact yet produces a very generous 7.5 & 15 cfm of inlet pumping capacity. Typical applications include OEM, forming, drying, degassing, packaging and de-gassing.

Standard accessories include power cord (120v), on/off switch and rubber mounting feet.

Other motor options are available.

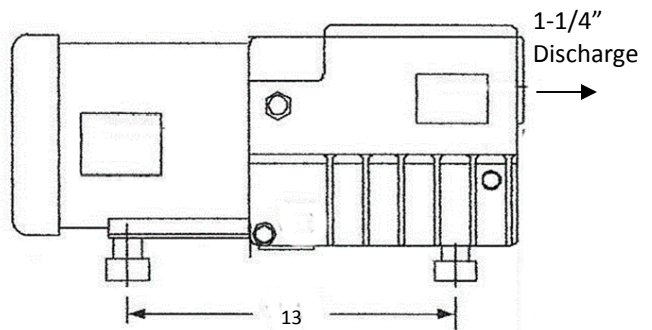
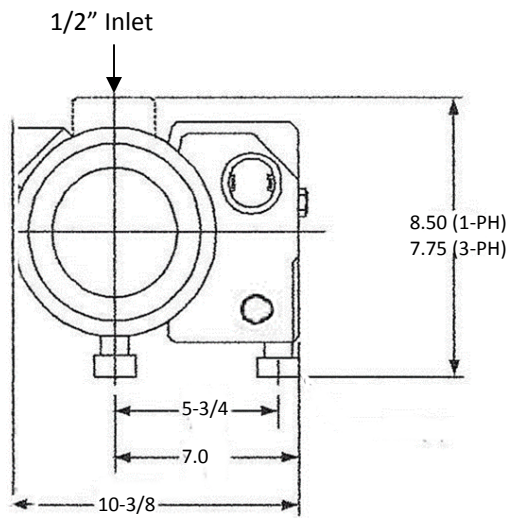
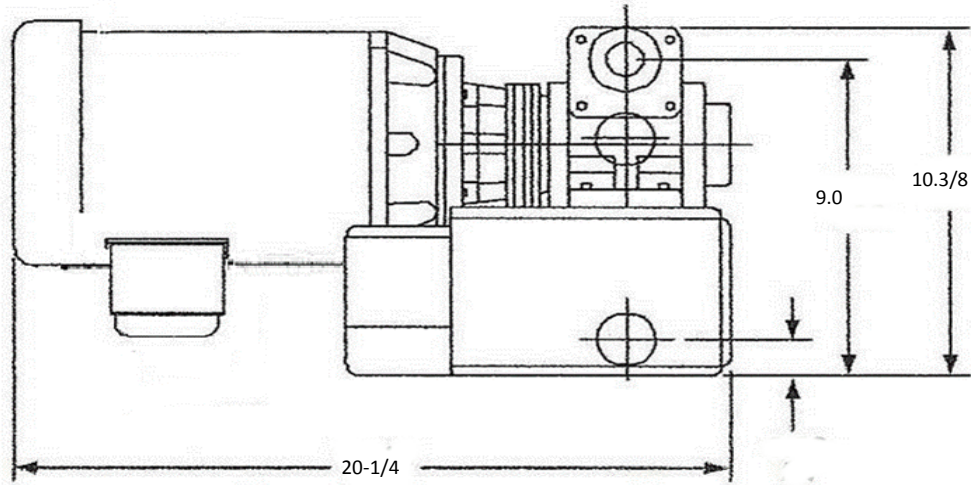
TECHNICAL DATA

PUMP TYPE		USV-7F	USV-15F
Pump Displacement	CFM	7.5	15
Ultimate Vacuum	Torr	2	2
Pump Speed	RPM	1750	3500
Oil Capacity	ml	500	500
Inlet connection	Inch	1/2"	1/2"
Motor	HP	1	1.5
Weight	LBS	45	47
Noise level	db(A)	70	72



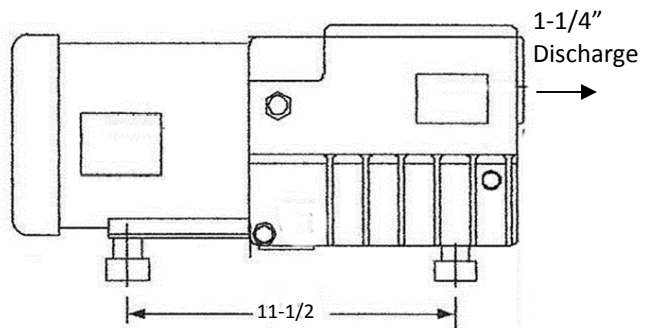
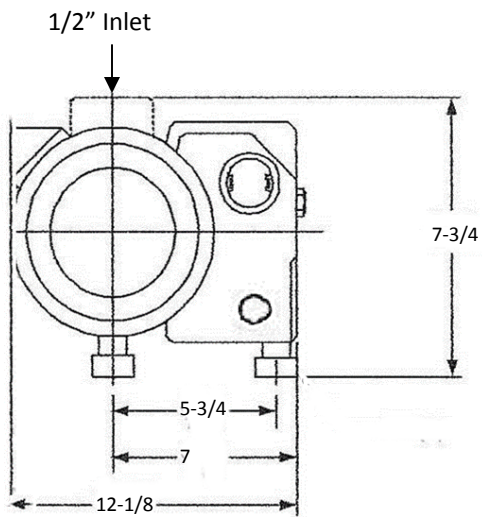
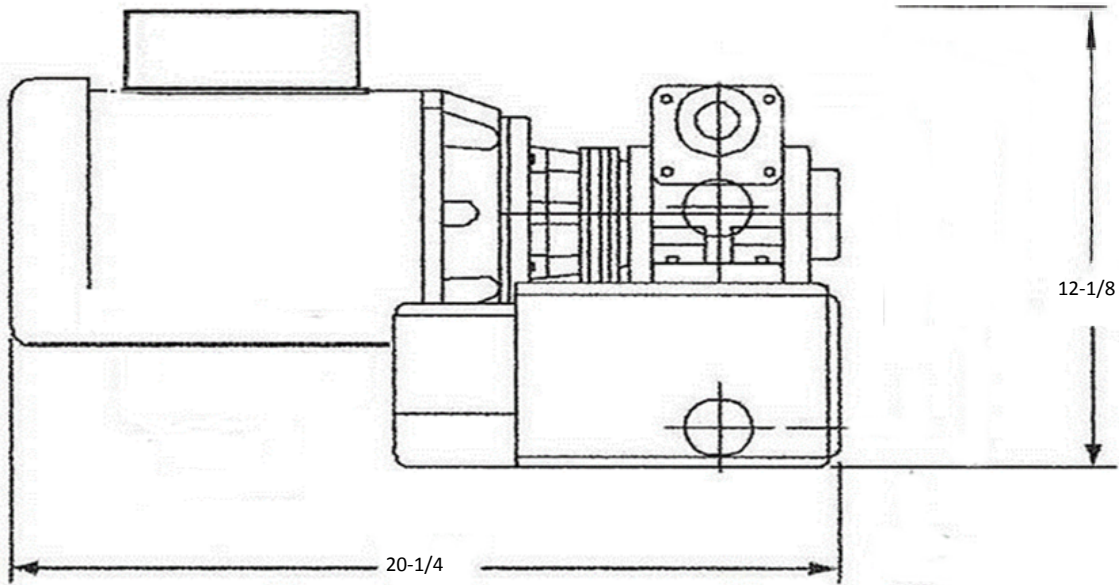
DIMENSIONS

USV-7F



DIMENSIONS

USV-15F



US VACUUM

US Vacuum Pumps LLC
P.O. Box 909
Canton, TX 75103
Phone: (888) 416-7366
Fax: (877) 416-7599
WEB: www.usvacuumpumps.com